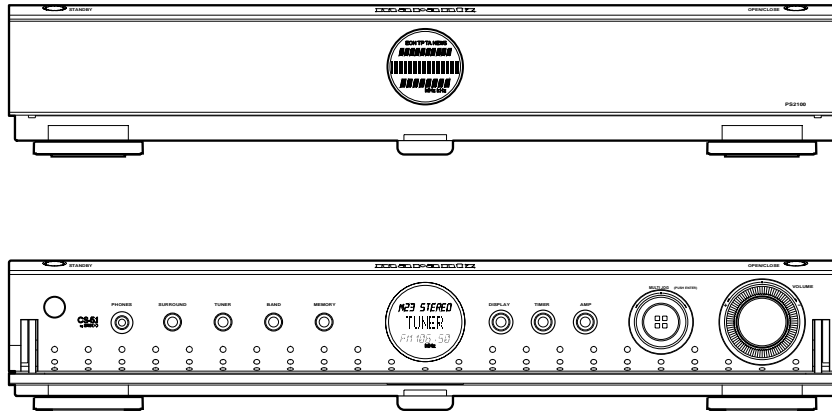


# Service Manual

PS2100/N1S, /C1S

AV Receiver



## TABLE OF CONTENTS

1.	TECHNICAL SPECIFICATIONS .....	1
2.	SERVICE MODE .....	2
3.	TUNER ADJUSTMENT .....	3
4.	DLOCK DIAGRAM .....	5
5.	SCHEMATIC DIAGRAM AND PARTS LOCATION .....	7
6.	MICROPROCESSOR AND IC DATA .....	29
7.	SODA (Self-Oscillating class D Amplifier) .....	36
8.	EXPLODED VIEW AND PARTS LIST .....	37
9.	ELECTRICAL PARTS LIST .....	40

Please use this service manual with referring to the user guide (D.F.U) without fail.

# marantz®

## PS2100

328J855010 AO  
3120 785 22660  
First Issue:2001.05

## MARANTZ DESIGN AND SERVICE

Using superior design and selected high grade components, **MARANTZ** company has created the ultimate in stereo sound. Only original **MARANTZ** parts can insure that your **MARANTZ** product will continue to perform to the specifications for which it is famous.

Parts for your **MARANTZ** equipment are generally available to our National Marantz Subsidiary or Agent.

### ORDERING PARTS :

Parts can be ordered either by mail or by Fax.. In both cases, the correct part number has to be specified.

The following information must be supplied to eliminate delays in processing your order :

1. Complete address
2. Complete part numbers and quantities required
3. Description of parts
4. Model number for which part is required
5. Way of shipment
6. Signature : any order form or Fax. must be signed, otherwise such part order will be considered as null and void.

#### USA

**MARANTZ AMERICA, INC.**  
440 MEDINAH ROAD  
ROSELLE, ILLINOIS 60172  
USA  
PHONE : 630 - 307 - 3100  
FAX : 630 - 307 - 2687

#### EUROPE / TRADING

**MARANTZ EUROPE B.V.**  
P.O.BOX 80002, BUILDING SFF2  
5600 JB EINDHOVEN  
THE NETHERLANDS  
PHONE : +31 - 40 - 2732241  
FAX : +31 - 40 - 2735578

#### BRAZIL

**PHILIPS DA AMAZONIA IND. ELET. ITDA**  
CENTRO DE INFORMACOES AO  
CEP 04698-970  
SAO PAULO, SP, BRAZIL  
PHONE : 0800 - 123123(Discagem Direta Gratuita)  
FAX : +55 11 534. 8988

#### PROFESSIONAL AMERICAS

**SUPERSCOPE TECHNOLOGIES, INC.**  
MARANTZ PROFESSIONAL PRODUCTS  
2640 WHITE OAK CIRCLE, SUITE A  
AURORA, ILLINOIS 60504 USA  
PHONE : 630 - 820 - 4800  
FAX : 630 - 820 - 8103

#### PROFESSIONAL AUSTRALIA

**TECHNICAL AUDIO GROUP PTY, LTD**  
558 DARLING STREET,  
BALMAIN, NSW 2041,  
AUSTRALIA  
PHONE : 61 - 2 - 9810 - 5300  
FAX : 61 - 2 - 9810 - 5355

#### CANADA

**LENBROOK INDUSTRIES LIMITED**  
633 GRANITE COURT,  
PICKERING, ONTARIO L1W 3K1  
CANADA  
PHONE : 905 - 831 - 6333  
FAX : 905 - 831 - 6936

#### AUSTRALIA

**QualiFi Pty Ltd,**  
24 LIONEL ROAD,  
MT. WAVERLEY VIC 3149  
AUSTRALIA  
PHONE : +61 - (0)3 - 9543 - 1522  
FAX : +61 - (0)3 - 9543 - 3677

#### THAILAND

**MRZ STANDARD CO.,LTD**  
746 - 754 MAHACHAI ROAD.,  
WANGBURAPAPIROM, PHRANAKORN,  
BANGKOK, 10200 THAILAND  
PHONE : +66 - 2 - 222 9181  
FAX : +66 - 2 - 224 6795

#### SINGAPORE

**WO KEE HONG DISTRIBUTION PTE LTD**  
130 JOO SENG ROAD  
#03-02 OLIVINE BUILDING  
SINGAPORE 368357  
PHONE : +65 858 5535 / +65 381 8621  
FAX : +65 858 6078

#### NEW ZEALAND

**WILDASH AUDIO SYSTEMS NZ**  
14 MALVERN ROAD MT ALBERT  
AUCKLAND NEW ZEALAND  
PHONE : +64 - 9 - 8451958  
FAX : +64 - 9 - 8463554

#### TAIWAN

**PAI-YUING CO., LTD.**  
6 TH FL NO, 148 SUNG KIANG ROAD,  
TAIPEI, 10429, TAIWAN R.O.C.  
PHONE : +886 - 2 - 25221304  
FAX : +886 - 2 - 25630415

#### MALAYSIA

**WO KEE HONG ELECTRONICS SDN. BHD.**  
SUITE 8.1, LEVEL 8, MENARA GENESIS,  
NO. 33, JALAN SULTAN ISMAIL,  
50250 KUALA LUMPUR, MALAYSIA  
PHONE : +60 3 - 2457677  
FAX : +60 3 - 2458180

#### JAPAN *Technical*

**MARANTZ JAPAN, INC.**  
35- 1, 7- CHOME, SAGAMIONO  
SAGAMIHARA - SHI, KANAGAWA  
JAPAN 228-8505  
PHONE : +81 42 748 1013  
FAX : +81 42 741 9190

#### 日本マランツ株式会社

本社 〒228-8505  
神奈川県相模原市相模大野7-35-1  
営業本部 〒150-0022  
東京都渋谷区恵比寿南1-11-9

#### KOREA

**MK ENTERPRISES LTD.**  
ROOM 604/605, ELECTRO-OFFICETEL, 16-58,  
3GA, HANGANG-RO, YONGSAN-KU, SEOUL  
KOREA  
PHONE : +822 - 3232 - 155  
FAX : +822 - 3232 - 154

### SHOCK, FIRE HAZARD SERVICE TEST :

**CAUTION :** After servicing this appliance and prior to returning to customer, measure the resistance between either primary AC cord connector pins ( with unit NOT connected to AC mains and its Power switch ON ), and the face or Front Panel of product and controls and chassis bottom.

Any resistance measurement less than 1 Megohms should cause unit to be repaired or corrected before AC power is applied, and verified before it is return to the user/customer.

Ref. UL Standard No. 1492.

In case of difficulties, do not hesitate to contact the Technical  
Department at above mentioned address.

# 1. TECHNICAL SPECIFICATIONS

## FM TUNER SECTION

Frequency Range .....	87.5 - 108.0 MHz
Usable Sensitivity .....	IHF 1.8 $\mu$ V / 16.4 dBf
Signal to Noise Ratio .....	Mono / Stereo 75 / 68 dB
Distortion .....	Mono / Stereo 0.2 / 0.5 %
Stereo Separation .....	45 dB at 1 kHz
Alternate Channel Selectivity .....	60 dB ( $\pm$ 300 kHz)

## AM TUNER SECTION

Frequency Range .....	531 - 1602 kHz
Signal to Noise Ratio .....	50 dB
Usable Sensitivity .....	Loop 400 $\mu$ V
Distortion .....	400 Hz, 30 % Mod. 0.5 %
Selectivity .....	$\pm$ 18 kHz 40 dB

## AUDIO SECTION

Rated Output Power (5 channel drive) .....	30 W at 8 ohms load
Stereo mode .....	50 W + 50 W
Input Sensitivity/Impedance .....	300 mV / 47 k ohm

## Video Selector

Input, Output Level/Impedance .....	1.0 Vp-p / 75 ohm
-------------------------------------	-------------------

## GENERAL

Power Supply .....	AC 220 V 60 Hz - C1S
	AC 230 V 50 Hz - N1S
Power Consumption .....	280 W
Dimension (MAX)	
Width .....	420 mm
Height .....	76 mm
Depth .....	322 mm
Weight .....	5.5 Kg

## ACCESSORIES

Remote Control Unit RC2100SR .....	1
AAA-size batteries .....	2
FM Feeder Antenna .....	1
AM Loop Antenna .....	1
Bus cable .....	1
AC cord .....	1

Specifications subject to change without prior notice.



### 3. TUNER ADJUSTMENT

#### 1. AM auto stop Level Check

Step	Input Signal Connection	Signal Frequency	Source Signal Output Level and Modulation	P-No.	Reception Frequency	Adjust. point	Adjustment Value
1	Signal generator output to transmission loop antenna. ('Standard required loop)	999 kHz	Level 54 dB/m (500 $\mu$ V/m)	M08	999 kHz	RA11	"TUNED" indicates on LCD
2			Level 60 dB/m (1000 $\mu$ V/m)	<b>AUTO SCAN</b>		Only Confirm	<b>Stop scan and "TUNED"</b> Indicates on LCD

\*Set RA11 first TUNED OFF (disappear TUNED) and 2nd set to TUNED ON (appear TUNED).

\*Auto scan mode activates that push and hold [▶▶] button on remote controller RC2100SR.

#### 2. FM Adjustment

##### 2.1 FM MONO. Distortion Adjustment.

Step	Input Signal Connection	Signal Frequency	Source Signal Output Level and Modulation	P-No.	Reception Frequency	Adjust. Point	Adjustment Value
1	Signal generator output to FM antenna terminal (75ohms)	100.1MHz	Level 500 $\mu$ V (54 dB) Mono 1kHz Dev. 75kHz 100%(C) Dev. 40kHz 53%(N)	M03 MONO	100.1MHz	L201	Distortion Level <b>Minimum</b> at VCR-OUT

##### 2.2 FM Muting Threshold Check

First of all, check illuminates "AUTO" on LCD. If shows "MONO" on LCD, press [TUNER MODE] button on unit or remote that to set the AUTO mode. LCD shows "AUTO". Input the signal and receipt it.

Step	Input Signal Connection	Signal Frequency	Source Signal Output Level and Modulation	P-No.	Reception Frequency	Adjust. point	Adjustment Value
1	Signal generator output to FM antenna terminal (75ohms)	100.1MHz	Level 6.3 $\mu$ V(16dB) Mono 1kHz/ Dev. 75kHz (C) 40kHz (N)	M03	100.1MHz	---	"TUNED" indicates on LCD
2			Level 12 $\mu$ V(22dB)	<b>AUTO SCAN</b>		Only Confirm	<b>Stop scan and "TUNED"</b> Indicates on LCD

Remark: AUTO MODE: [MODE] button in tuner mode on remote.

#### 2.3 FM STEREO Distortion Adjustment

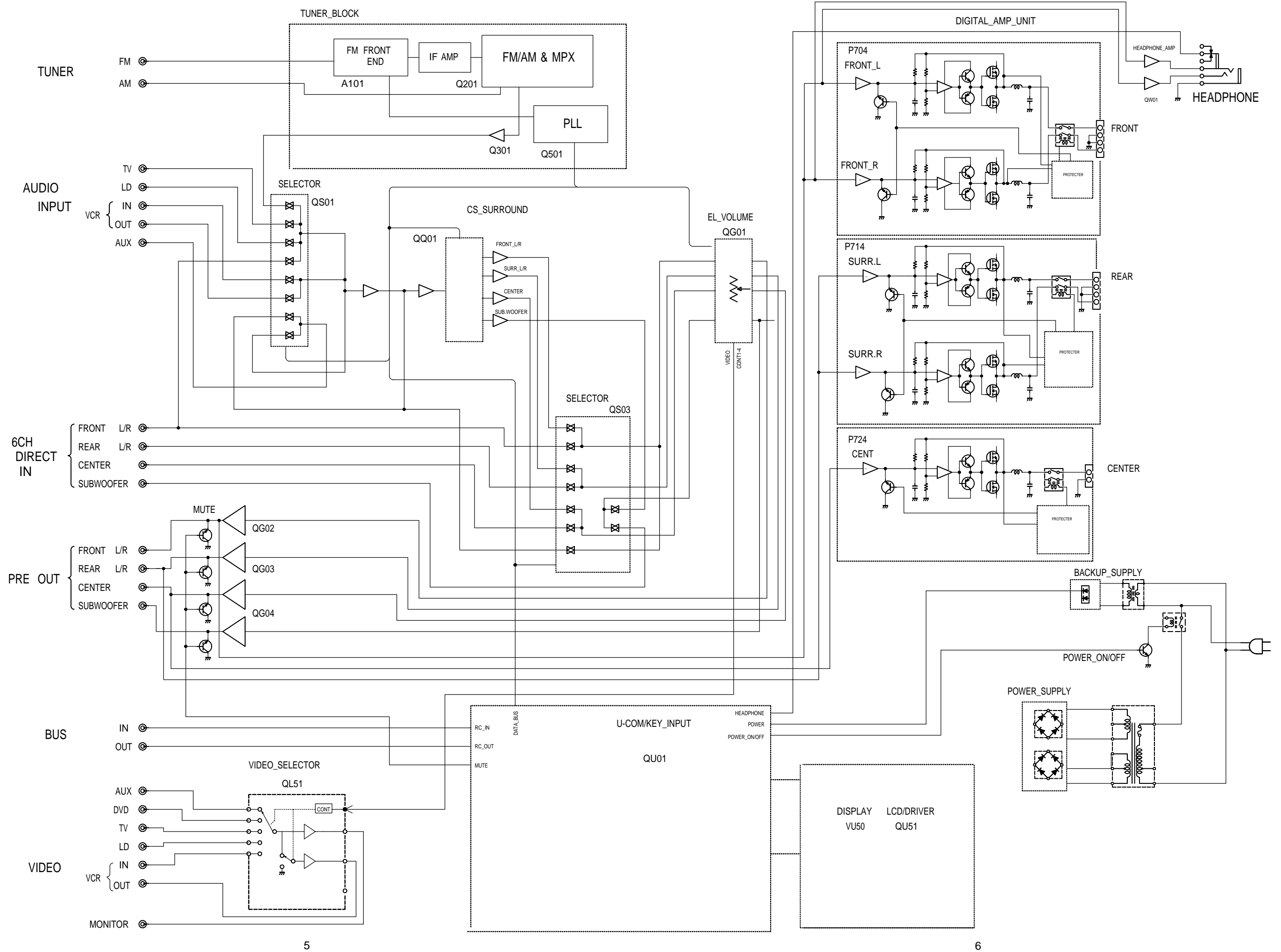
Adjust the L-channel with the RF signal modulated only L-channel first and confirm the R-channel with RF signal modulated only R-channel.

Step	Input Signal Connection	Signal Frequency	Source Signal Output Level and Modulation	P-No.	Reception Frequency	Adjust. point	Adjustment Value
1	Signal generator output to FM antenna terminal (75ohms)	100.1MHz	Level 500 $\mu$ V(54dB)	M03	100.1MHz	IF COIL in Front End	Distortion Level <b>Minimum</b> at VCR-OUT L-ch.
2			Only L-ch 1kHz/ Dev. 67.5kHz 90% (C) 40kHz 53.3% (N)				
3			Pilot 19kHz/ Dec. 6.75kHz 9% (C) 6kHz 8% (N)				
			Only R-ch			Only Confirm	Distortion Level <b>Similar</b> as L-ch at VCR-OUT R-ch.

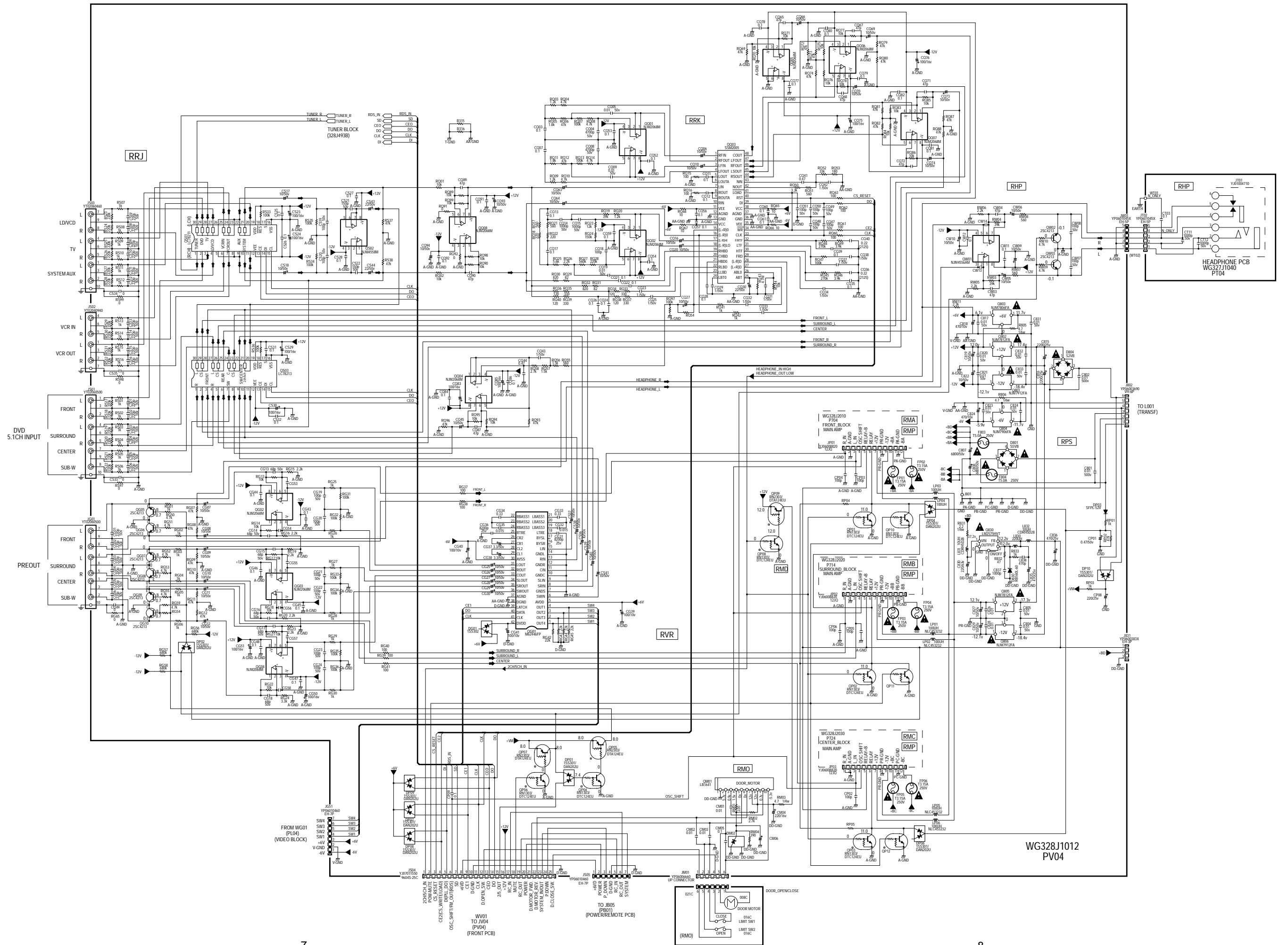
#### 2.4 FM STEREO Separation Adjustment

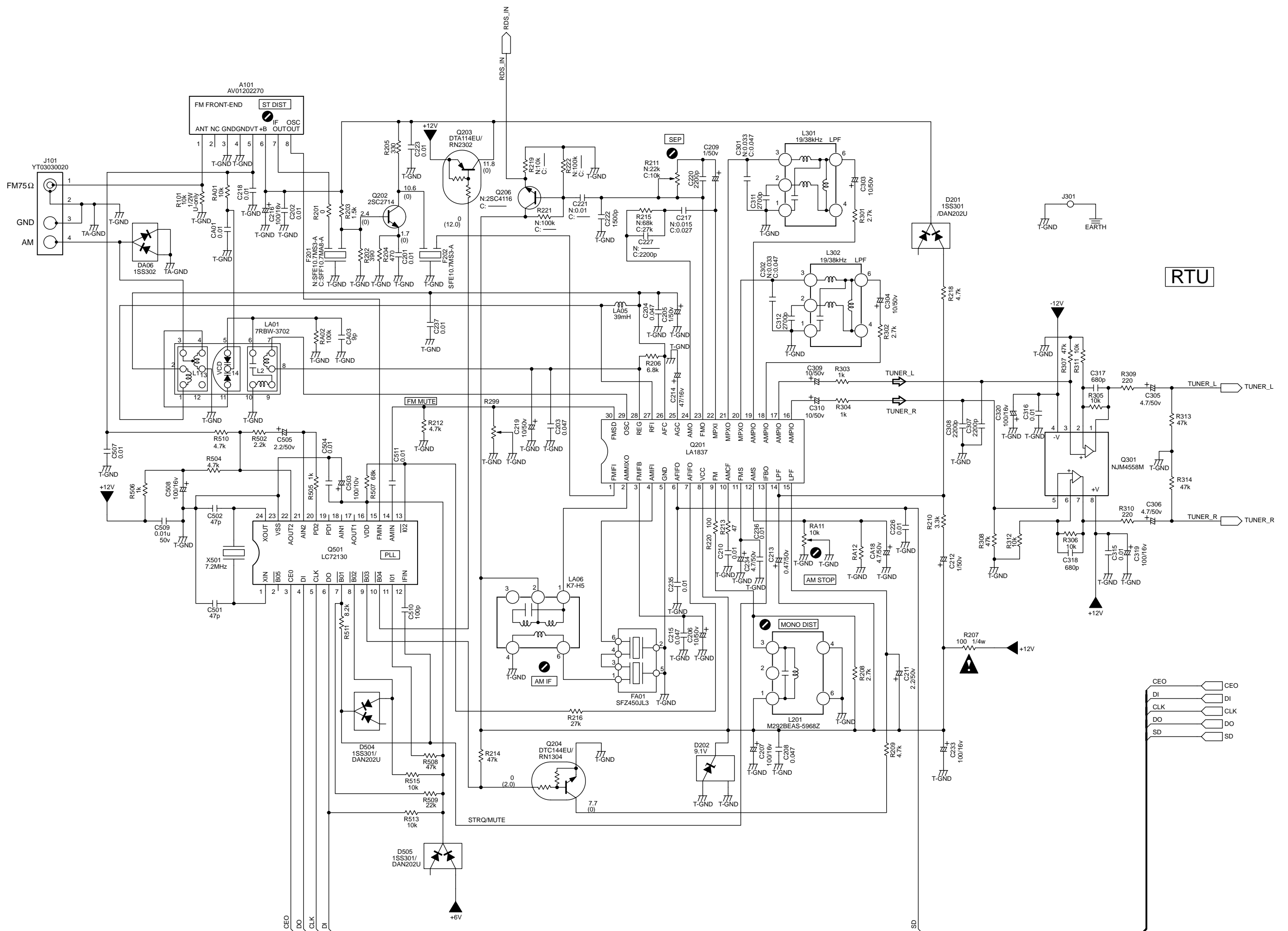
Step	Input Signal Connection	Signal Frequency	Source Signal Output Level and Modulation	P-No.	Reception Frequency	Adjust. point	Adjustment Value
1	Signal generator output to FM antenna terminal (75ohms)	100.1MHz	Level 500 $\mu$ V(54dB)	M03	100.1MHz	R211	Output Level <b>Minimum</b> at VCR-OUT R-ch.
2			Only L-ch 1kHz/ Dev. 67.5kHz 90% (C) 40kHz 53.3% (N)				
3			Pilot 19kHz/ Dec. 6.75kHz 9% (C) 6kHz 8% (N)				
			Only R-ch				Output Level <b>Similar</b> as R-ch at VCR-OUT L-ch.

#### 4. BLOCK DIAGRAM

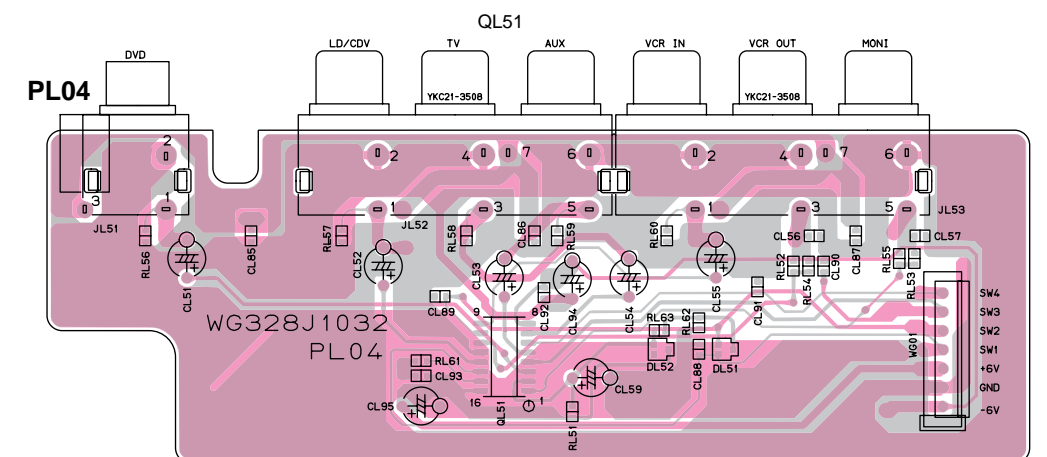
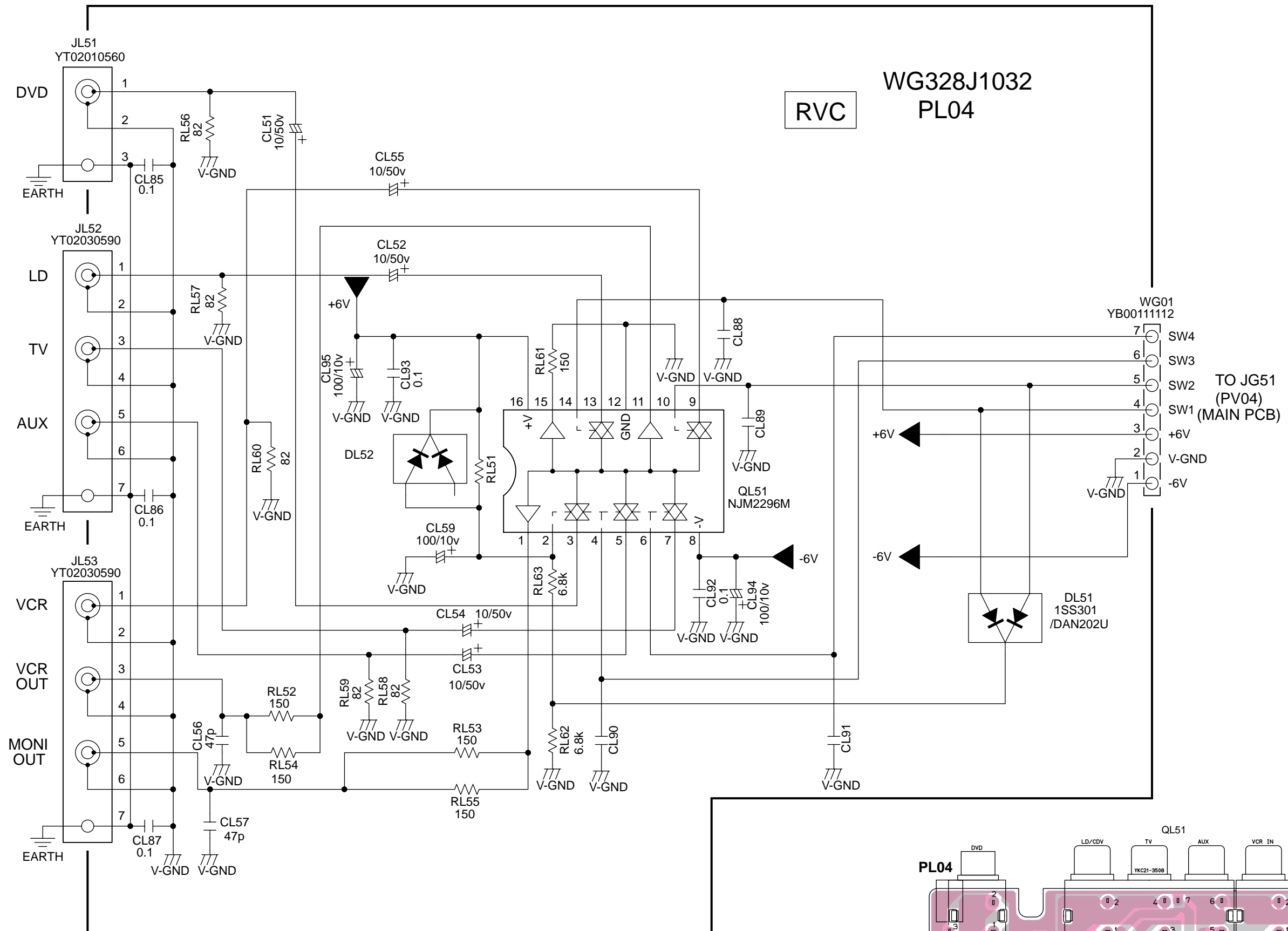


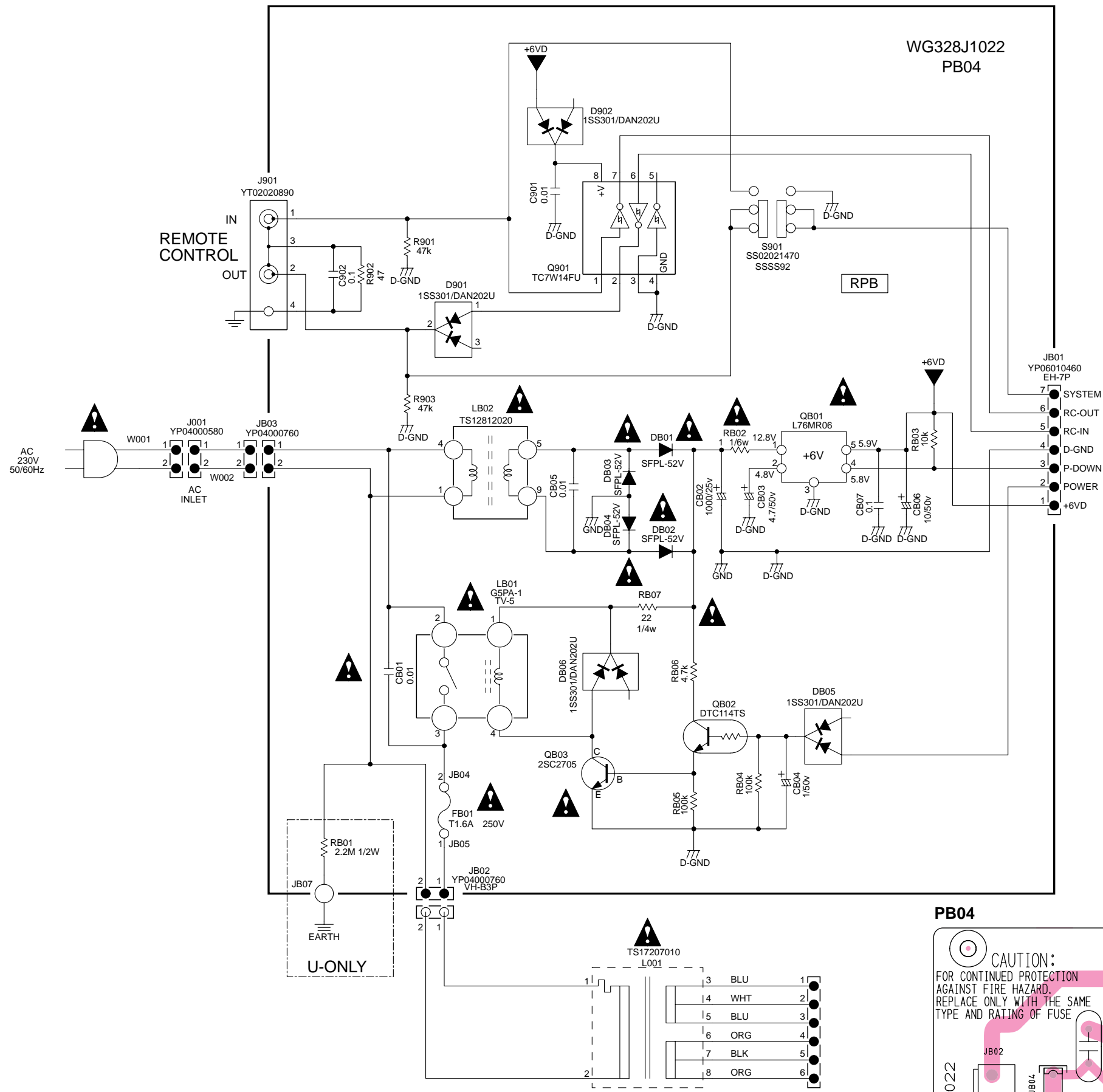
# 5. SCHEMATIC DIAGRAM AND PARTS LOCATION





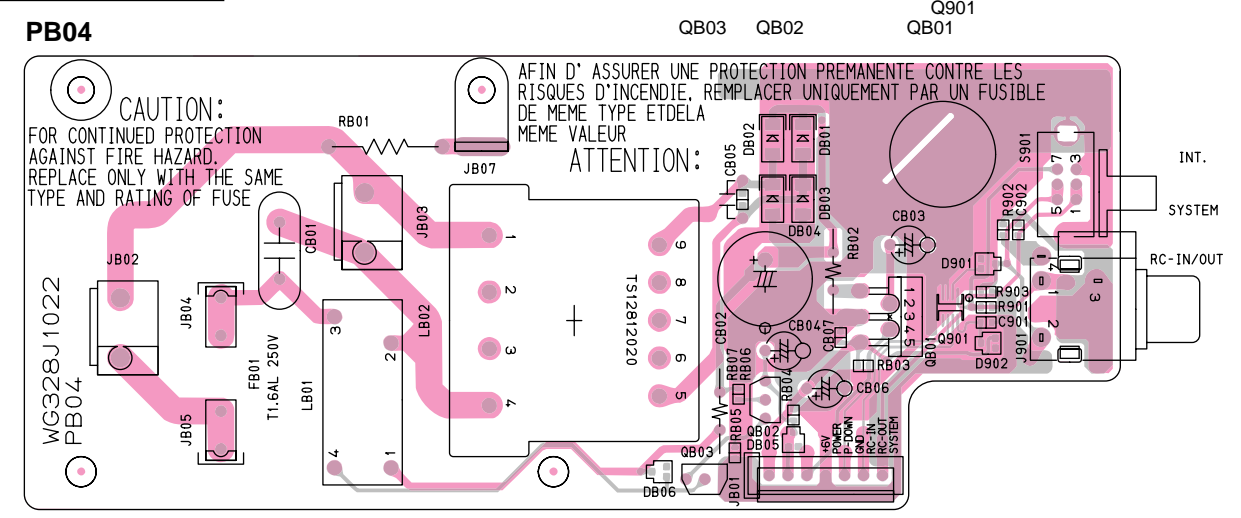


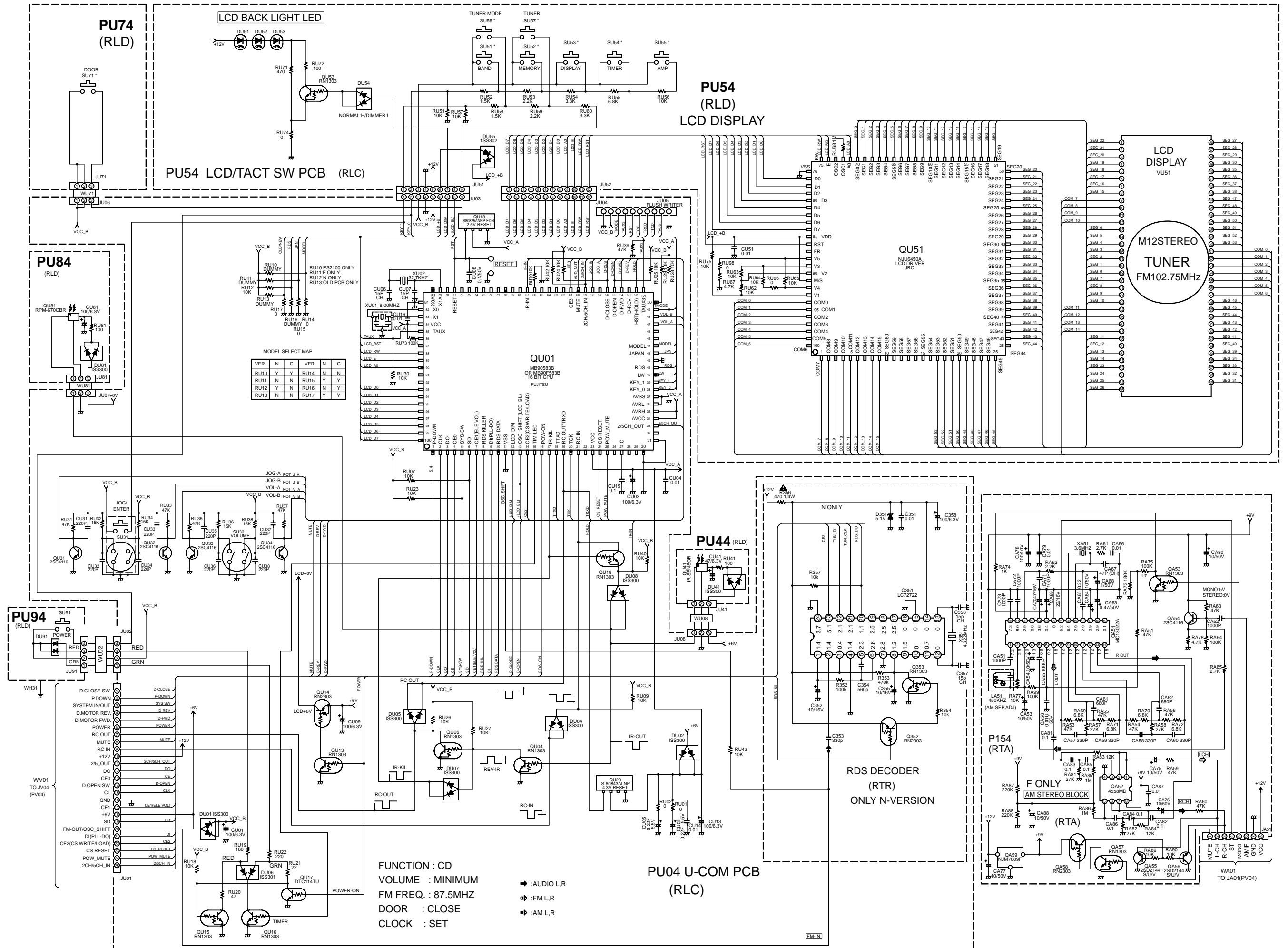




TO JS05 (PV04) (MAIN PCB)

YA01075020 (JS05 TO JB01)





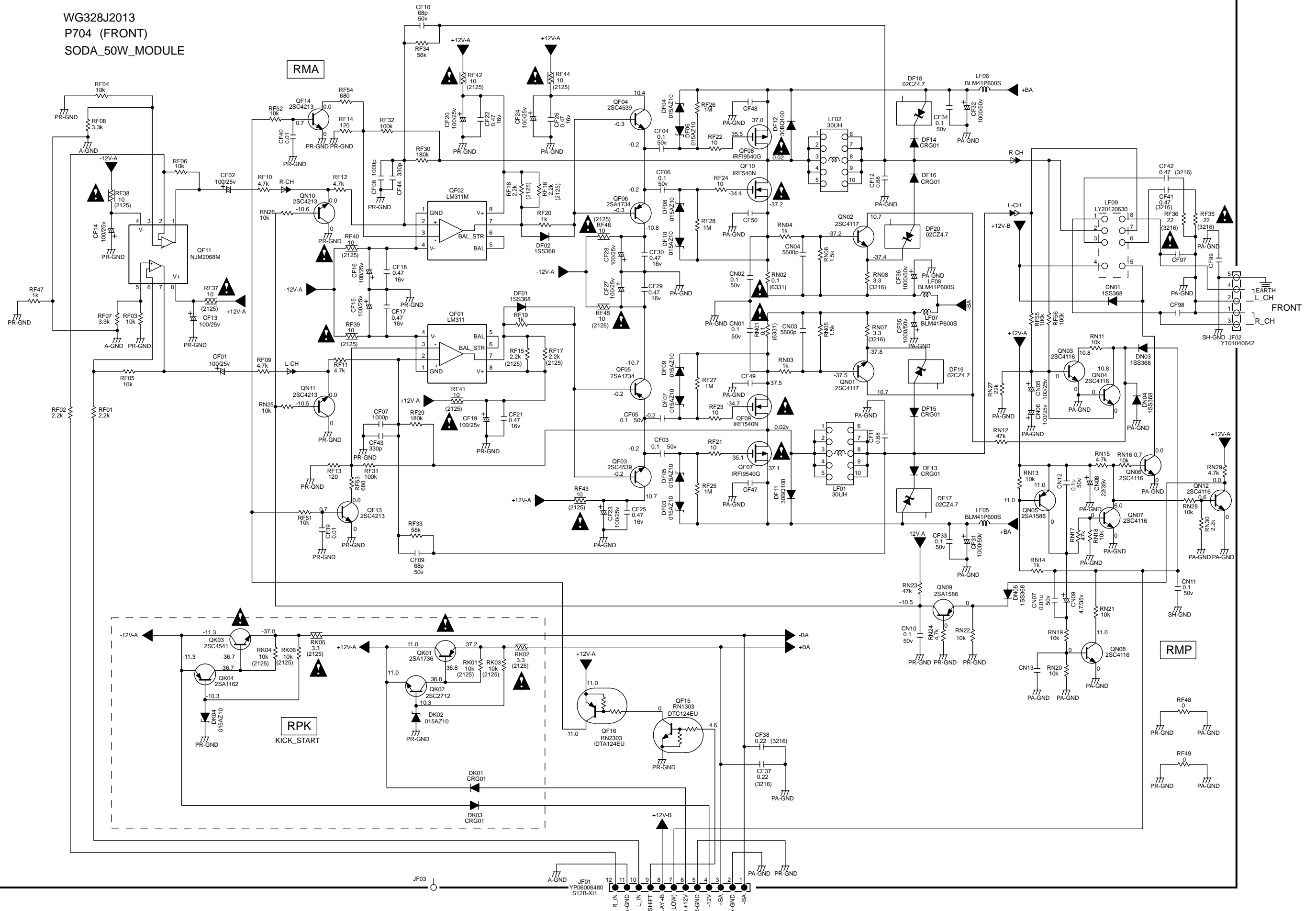
MODEL SELECT MAP

VER	N	C	VER	N	C
RU10	Y	Y	RU14	N	N
RU11	N	N	RU15	Y	Y
RU12	Y	N	RU16	N	Y
RU13	N	N	RU17	Y	Y

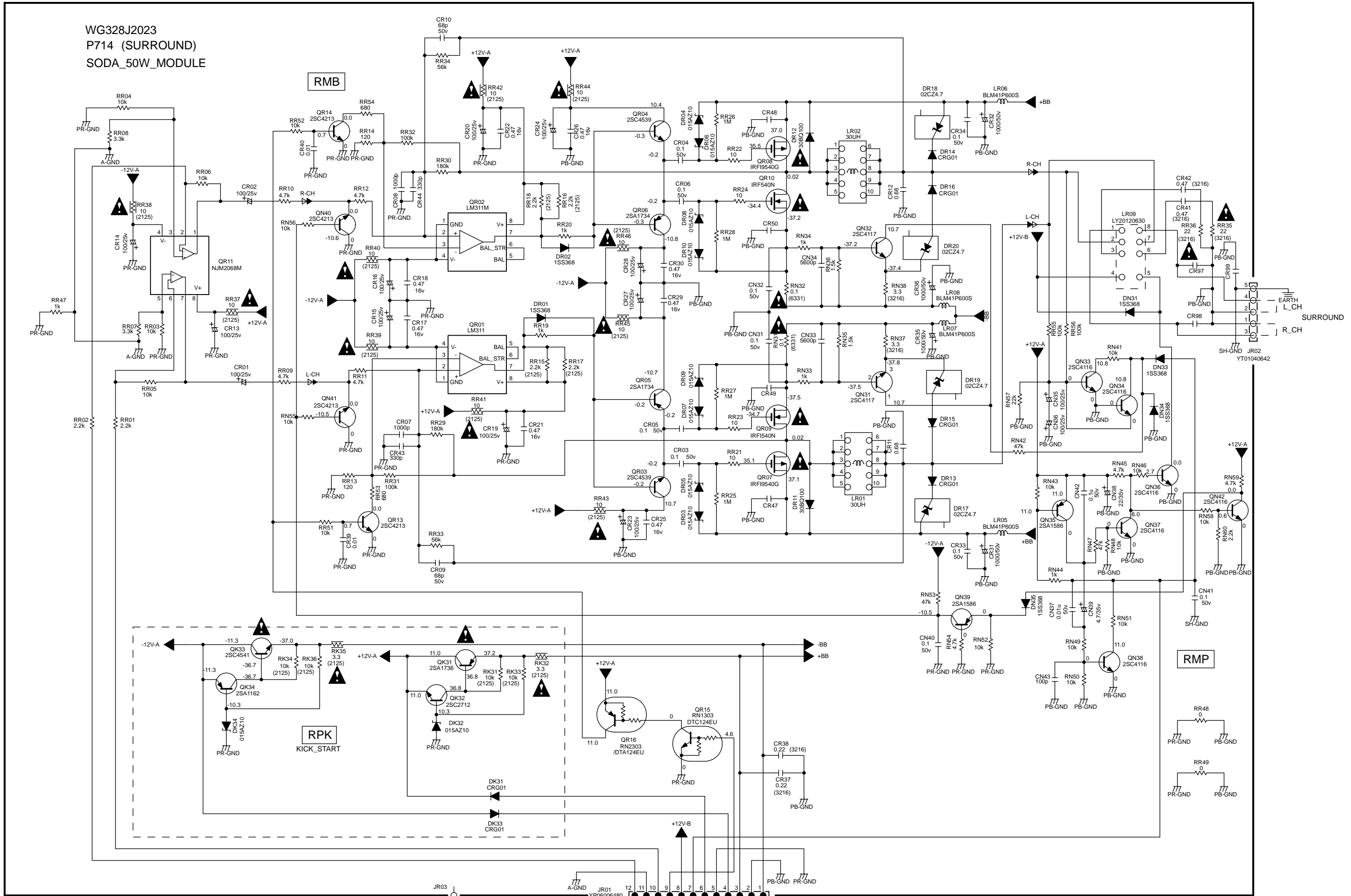
FUNCTION : CD  
 VOLUME : MINIMUM  
 FM FREQ. : 87.5MHZ  
 DOOR : CLOSE  
 CLOCK : SET

◆ : AUDIO L,R  
 ◆ : FM L,R  
 ◆ : AM L,R

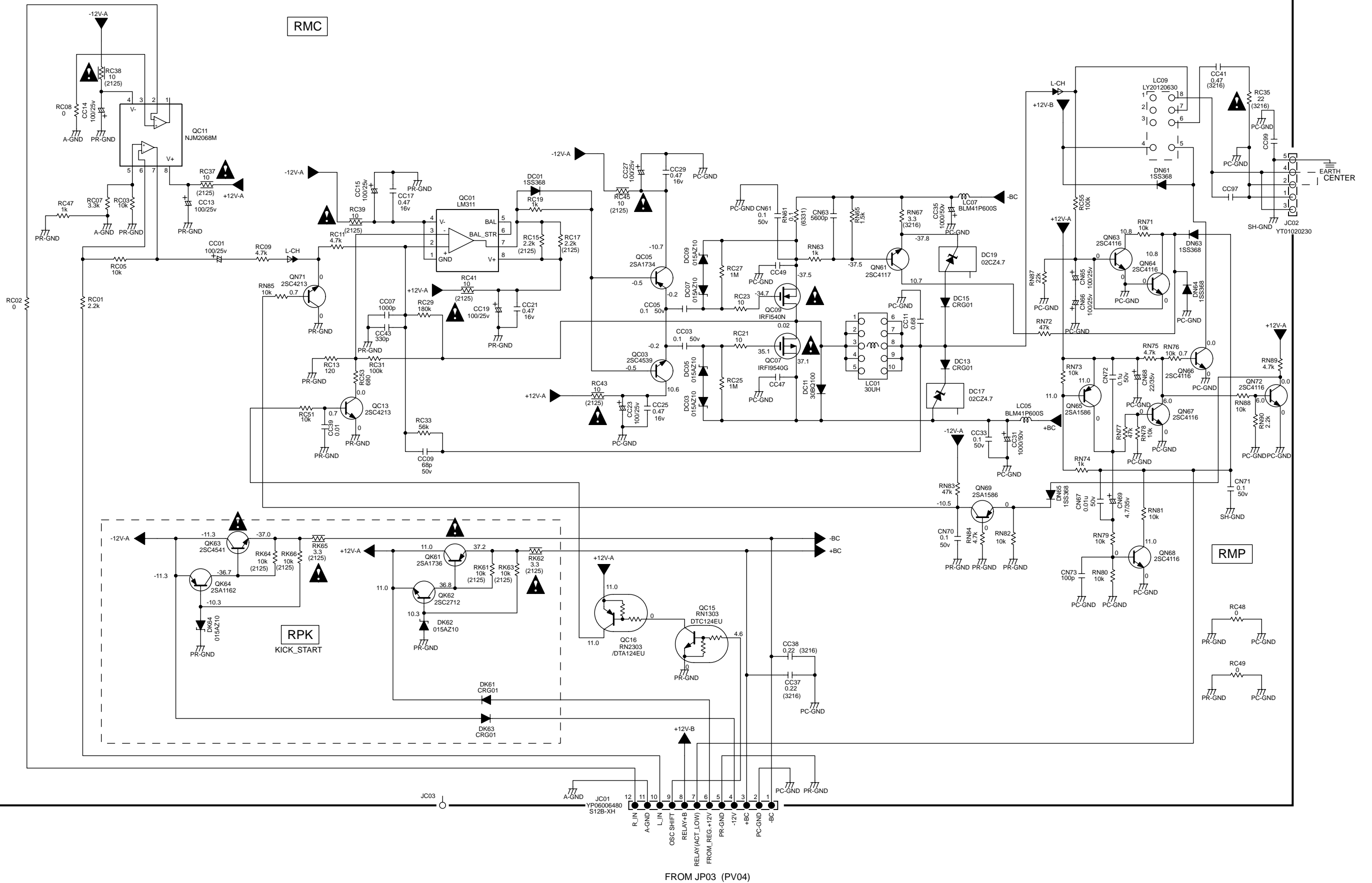
WG328J2013  
P704 (FRONT)  
SODA\_50W\_MODULE



WG328J2023  
P714 (SURROUND)  
SODA\_50W\_MODULE

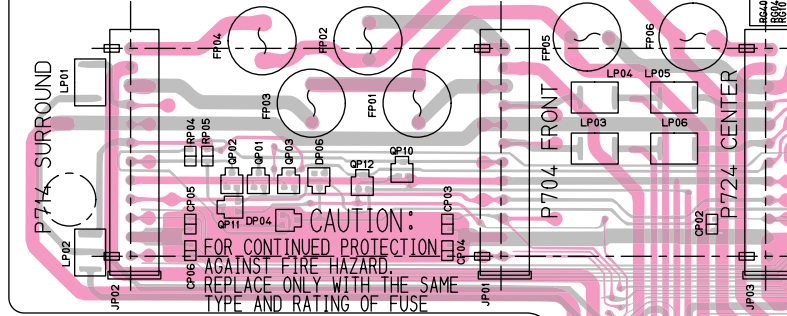


WG328J2033  
P724 (CENTER)  
SODA\_50W\_MODULE



PV04

AFIN D' ASSURER UNE PROTECTION PERMANENTE CONTRE LES RISQUES D'INCENDIE, REMPLACER UNIQUEMENT PAR UN FUSIBLE DE MEME TYPE ETDELA MEME VALEUR  
ATTENTION:

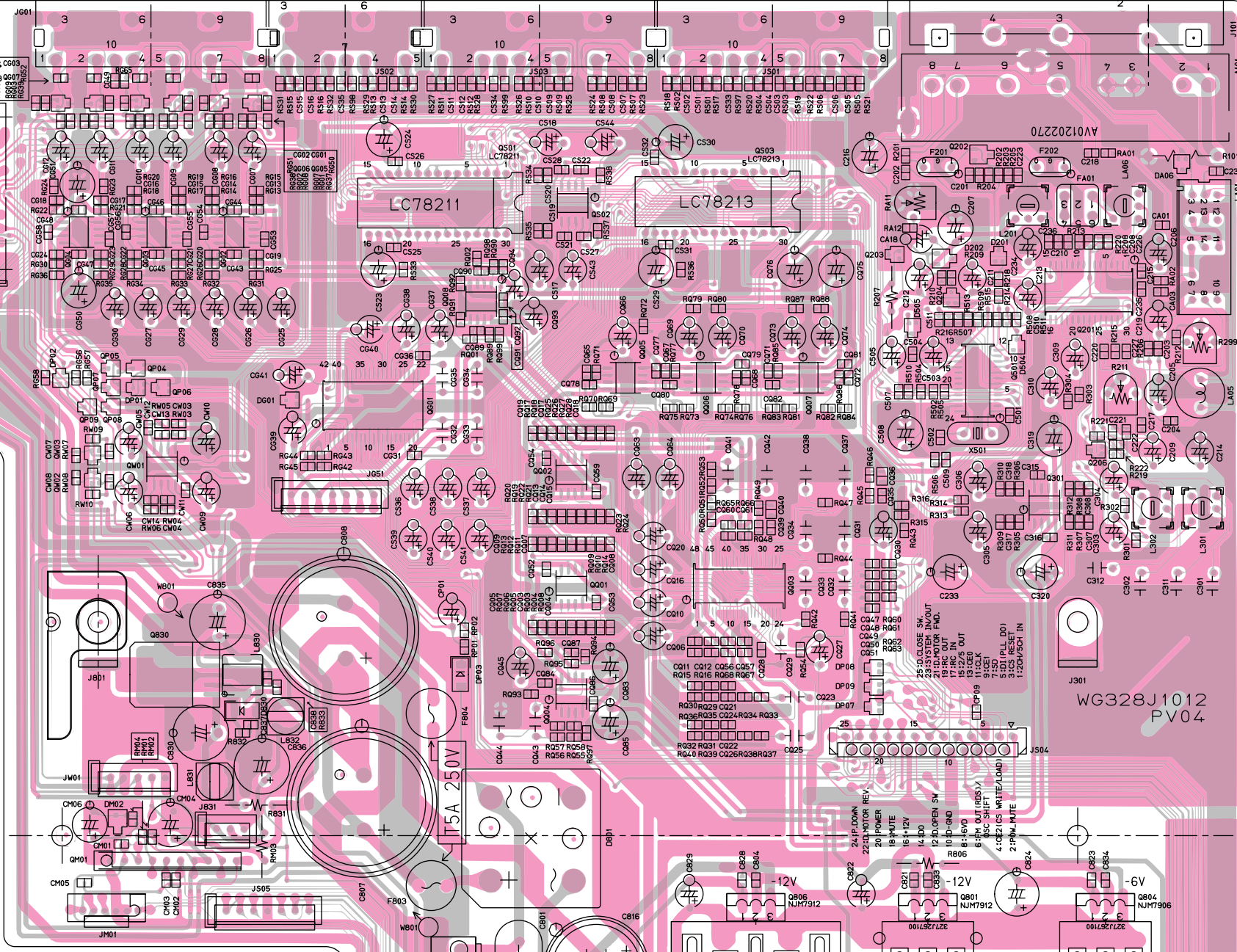
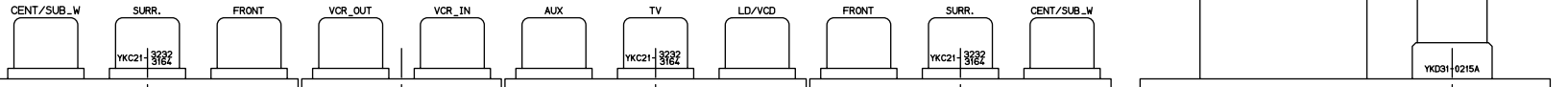


CAUTION:  
FOR CONTINUED PROTECTION  
AGAINST FIRE HAZARD,  
REPLACE ONLY WITH THE SAME  
TYPE AND RATING OF FUSE

QG10 QG09 QG08 QG07 QG06 QG05  
QG04 QG03 QG02  
QP04 - QP09  
QW03 QW01  
QW02

QQ02  
QQ01  
QG01 QQ08 QS01 QQ04 QS02 QQ05 QQ06 QQ03 QQ07  
Q203 Q204 Q202 Q501 Q301 Q201

QP01  
QP02 QP03  
QP11 QP12QP10

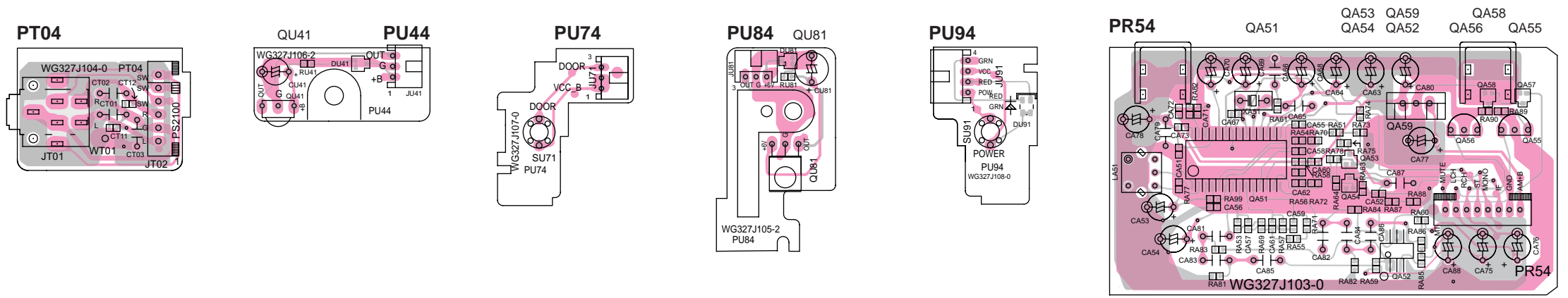
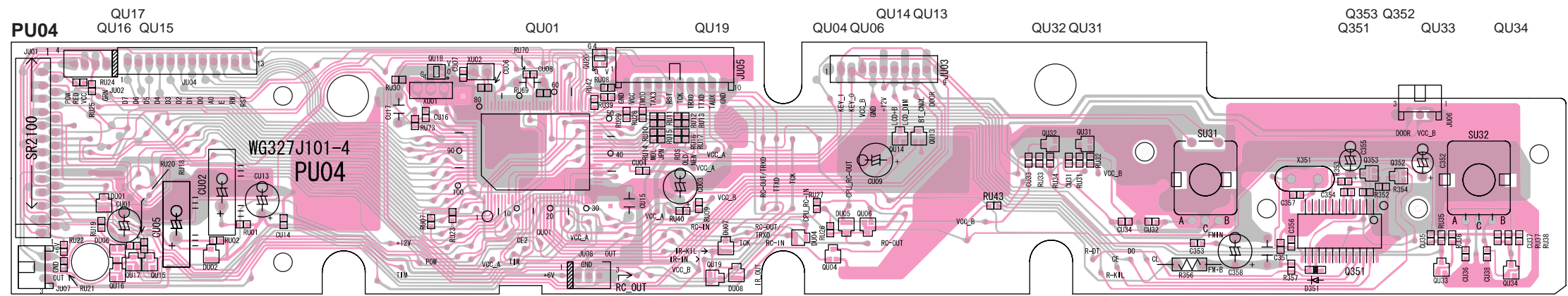
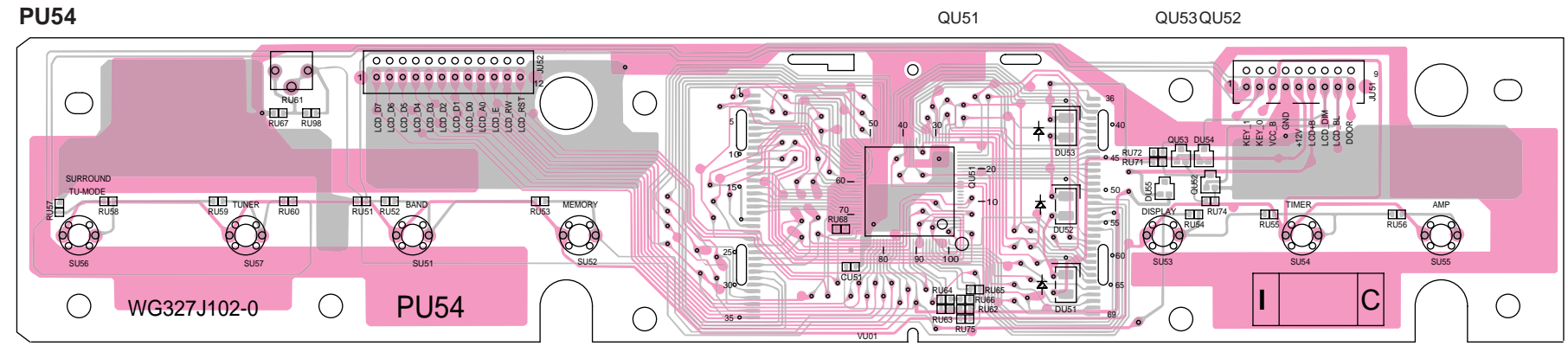


QM01 Q830

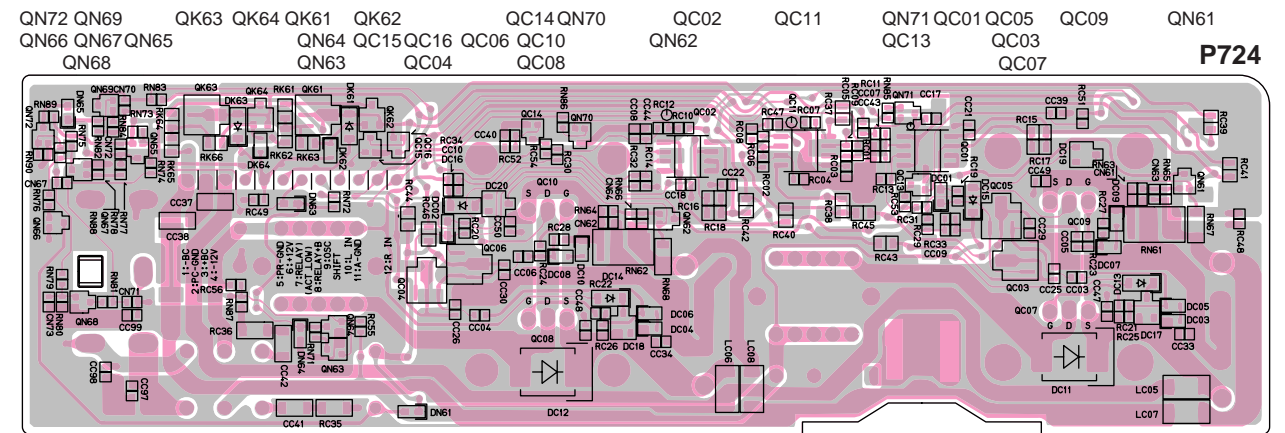
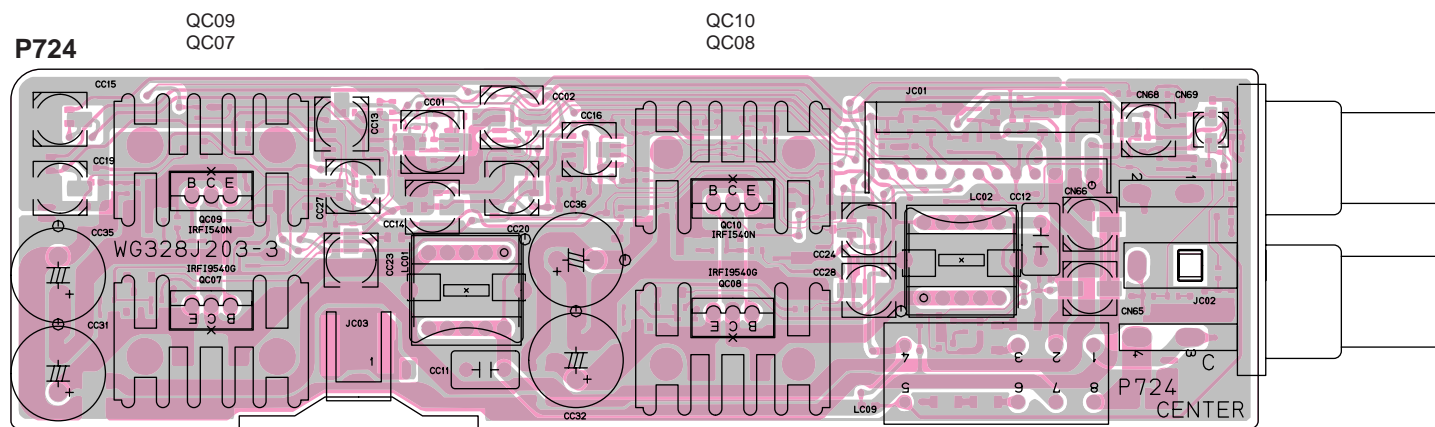
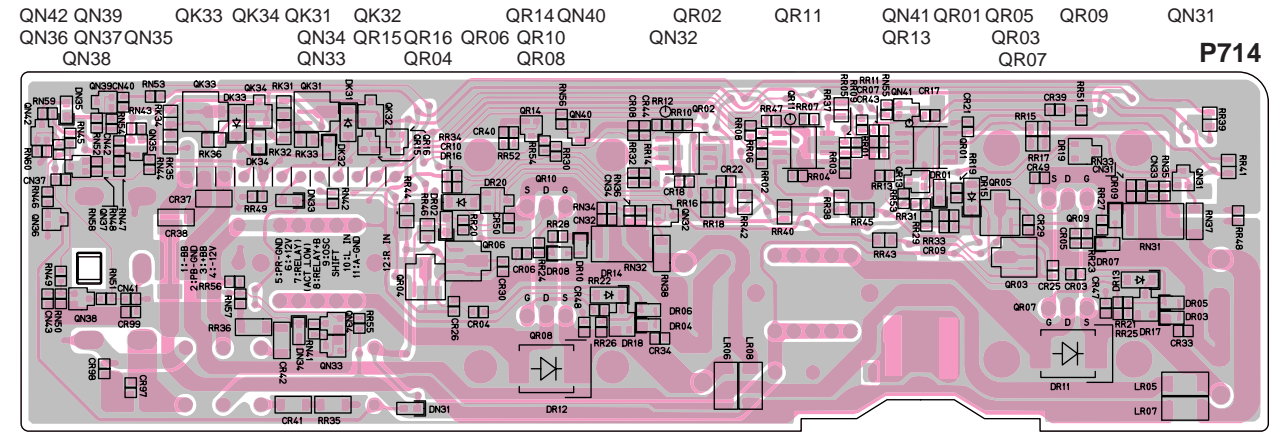
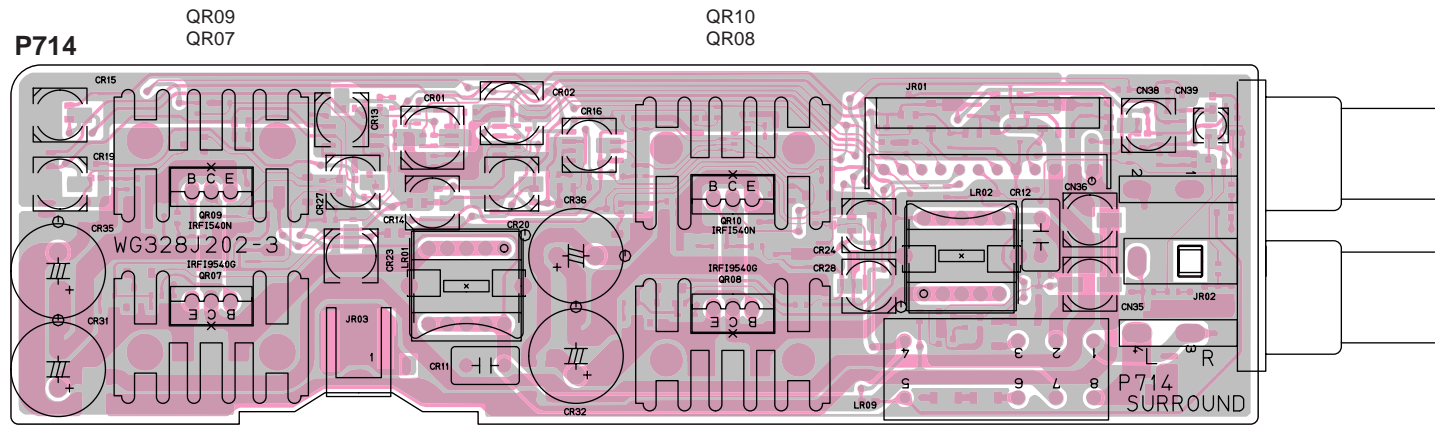
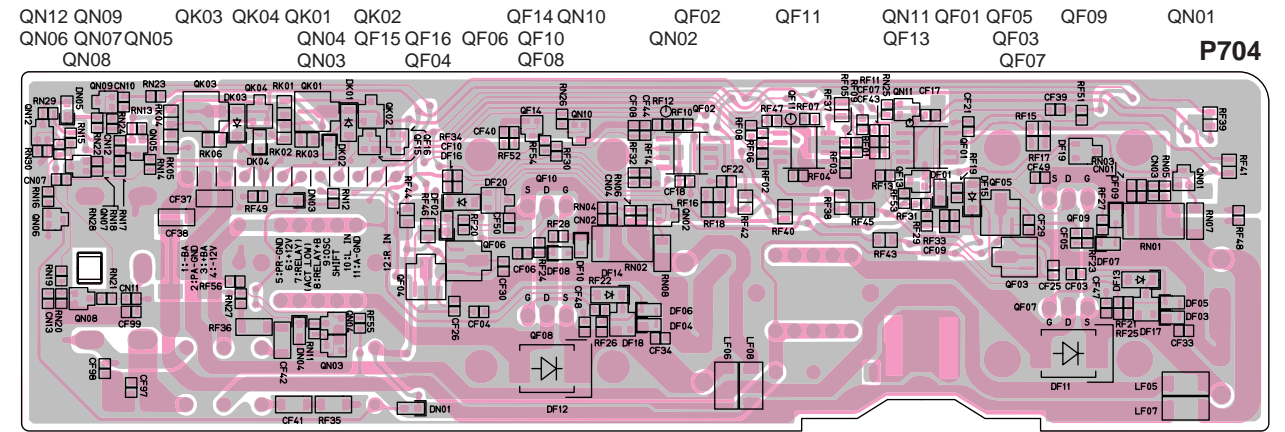
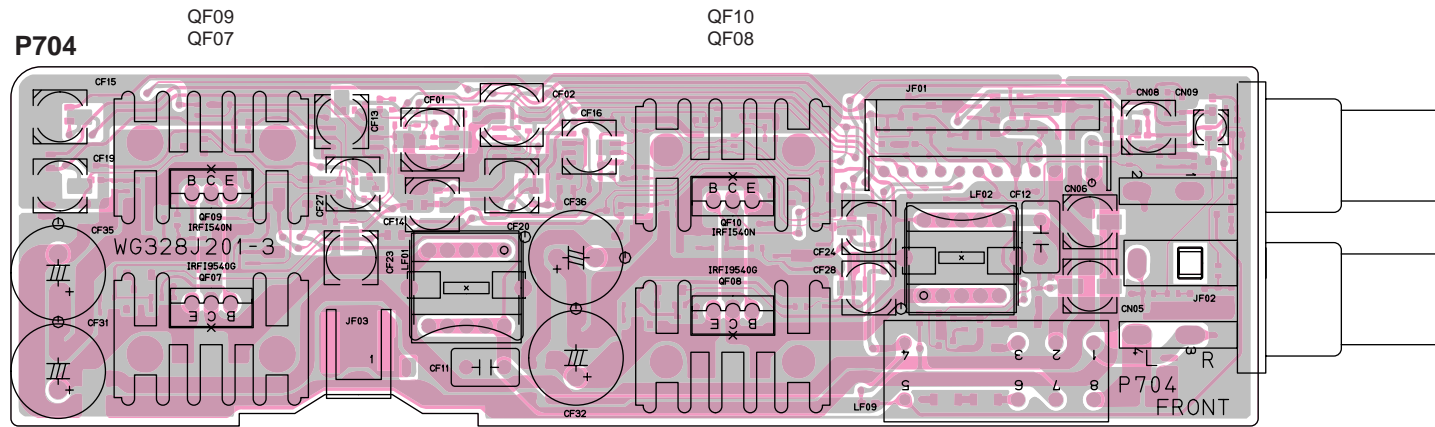
ATTENTION:  
AFIN D' ASSURER UNE PROTECTION  
PERMANENTE CONTRE LES RISQUES  
D'INCENDIE, REMPLACER UNIQUEMENT  
PAR UN FUSIBLE DE MEME TYPE  
ETDELA MEME VALEUR

CAUTION:  
FOR CONTINUED PROTECTION  
AGAINST FIRE HAZARD,  
REPLACE ONLY WITH THE SAME  
TYPE AND RATING OF FUSE

Q806 Q805 Q801 Q802 Q804 Q803

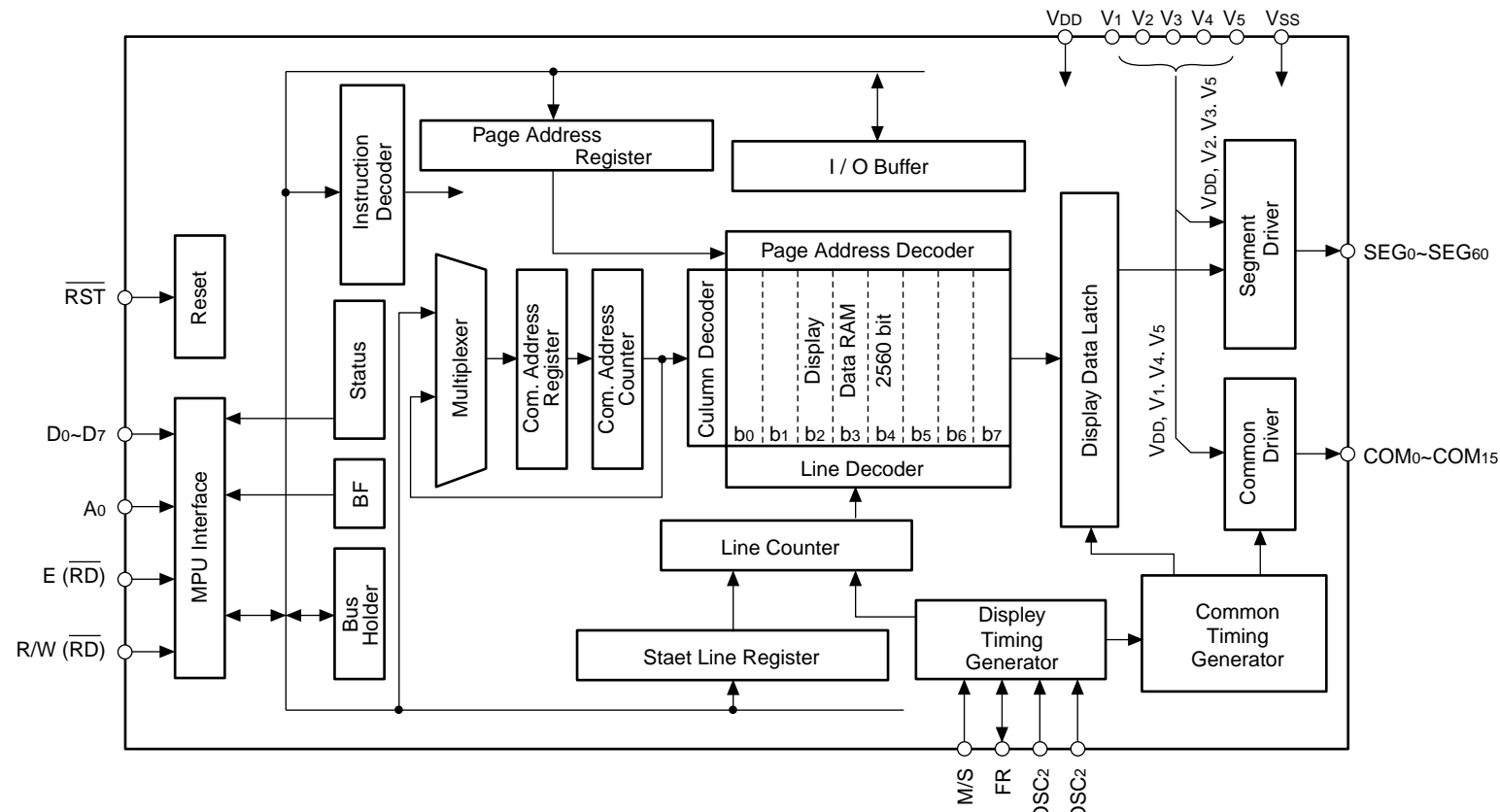




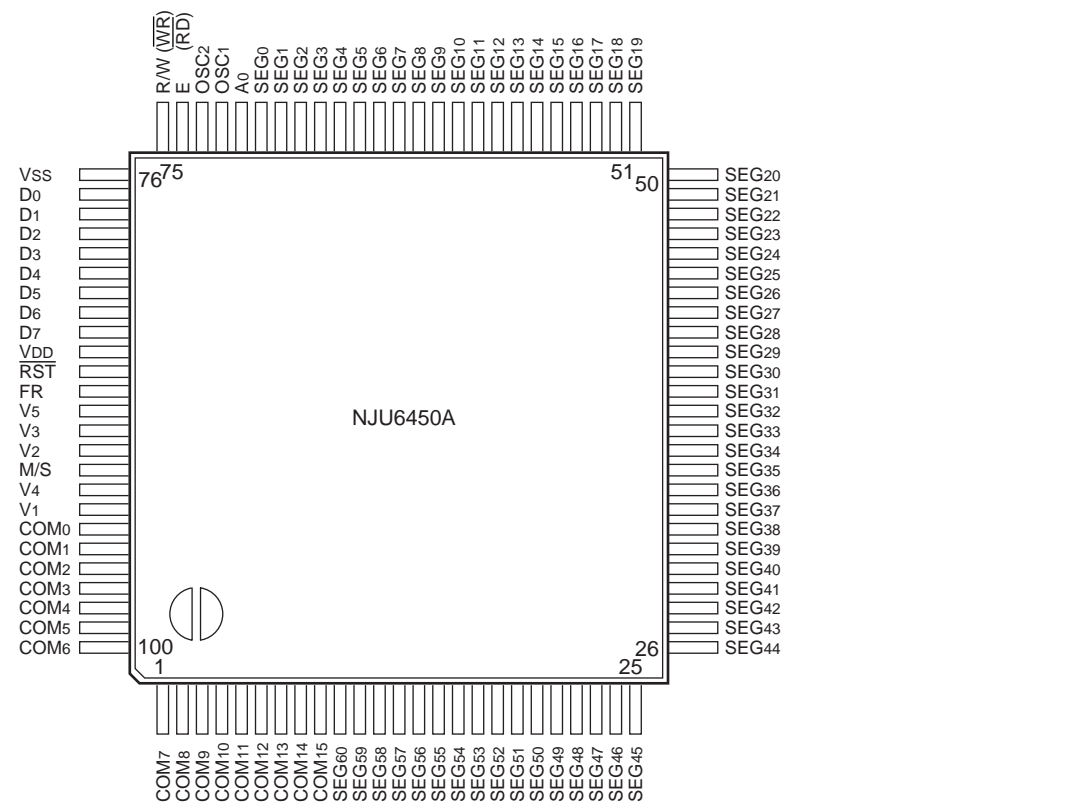


## 6. MICROPROCESSOR AND IC DATA

QU51 : NJU6450A  
BLOCK DIAGRAM



PIN CONFIGURATION



PIN FUNCTION

No.	Terminal Name	X=(um)	Y=(um)
1	COM <sub>5</sub>	-2130	-1865
2	COM <sub>6</sub>	-1970	-1865
3	COM <sub>7</sub>	-1810	-1865
4	COM <sub>8</sub>	-1650	-1865
5	COM <sub>9</sub>	-1490	-1865
6	COM <sub>10</sub>	-1330	-1865
7	COM <sub>11</sub>	-1190	-1865
8	COM <sub>12</sub>	-1050	-1865
9	COM <sub>13</sub>	- 910	-1865
10	COM <sub>14</sub>	- 770	-1865
11	COM <sub>15</sub>	- 630	-1865
12	SEG <sub>60</sub>	- 490	-1865
13	SEG <sub>59</sub>	- 350	-1865
14	SEG <sub>58</sub>	- 210	-1865
15	SEG <sub>57</sub>	- 70	-1865
16	SEG <sub>56</sub>	70	-1865
17	SEG <sub>55</sub>	210	-1865
18	SEG <sub>54</sub>	350	-1865
19	SEG <sub>53</sub>	490	-1865
20	SEG <sub>52</sub>	630	-1865
21	SEG <sub>51</sub>	770	-1865
22	SEG <sub>50</sub>	910	-1865
23	SEG <sub>49</sub>	1050	-1865
24	SEG <sub>48</sub>	1190	-1865
25	SEG <sub>47</sub>	1330	-1865
26	SEG <sub>46</sub>	1490	-1865
27	SEG <sub>45</sub>	1650	-1865
28	SEG <sub>44</sub>	1810	-1865
29	SEG <sub>43</sub>	1970	-1865
30	SEG <sub>42</sub>	2130	-1865
31	SEG <sub>41</sub>	2213	-1354
32	SEG <sub>40</sub>	2213	-1214
33	SEG <sub>39</sub>	2213	-1074
34	SEG <sub>38</sub>	2213	- 934
35	SEG <sub>37</sub>	2213	- 794
36	SEG <sub>36</sub>	2213	- 654
37	SEG <sub>35</sub>	2213	- 514
38	SEG <sub>34</sub>	2213	- 374
39	SEG <sub>33</sub>	2213	- 234
40	SEG <sub>32</sub>	2213	- 94
41	SEG <sub>31</sub>	2213	46
42	SEG <sub>30</sub>	2213	186
43	SEG <sub>29</sub>	2213	326
44	SEG <sub>28</sub>	2213	466
45	SEG <sub>27</sub>	2213	606
46	SEG <sub>26</sub>	2213	746
47	SEG <sub>25</sub>	2213	886
48	SEG <sub>24</sub>	2213	1026
49	SEG <sub>23</sub>	2213	1166
50	SEG <sub>22</sub>	2213	1306

\* Pad Size 92um x 92um

Chip Size 4860um x 4160um(Chip Center X=0um,Y=0um)

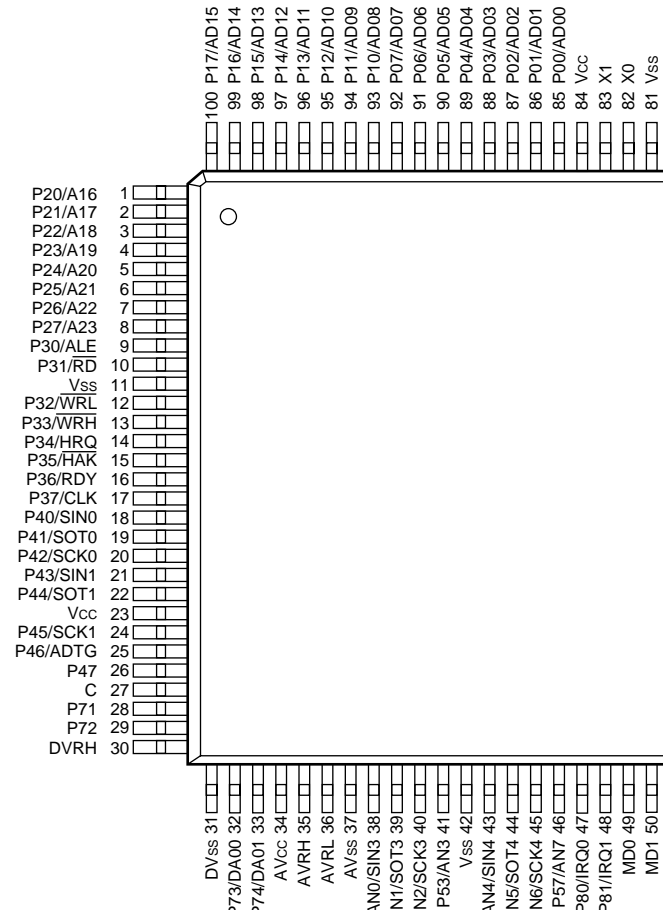
No.	Terminal Name	X=(um)	Y=(um)
51	SEG <sub>21</sub>	2130	1865
52	SEG <sub>20</sub>	1970	1865
53	SEG <sub>19</sub>	1810	1865
54	SEG <sub>18</sub>	1650	1865
55	SEG <sub>17</sub>	1490	1865
56	SEG <sub>16</sub>	1330	1865
57	SEG <sub>15</sub>	1190	1865
58	SEG <sub>14</sub>	1050	1865
59	SEG <sub>13</sub>	910	1865
60	SEG <sub>12</sub>	770	1865
61	SEG <sub>11</sub>	630	1865
62	SEG <sub>10</sub>	490	1865
63	SEG <sub>9</sub>	350	1865
64	SEG <sub>8</sub>	210	1865
65	SEG <sub>7</sub>	70	1865
66	SEG <sub>6</sub>	- 70	1865
67	SEG <sub>5</sub>	- 210	1865
68	SEG <sub>4</sub>	- 350	1865
69	SEG <sub>3</sub>	- 490	1865
70	SEG <sub>2</sub>	- 630	1865
71	SEG <sub>1</sub>	- 770	1865
72	SEG <sub>0</sub>	- 910	1865
73	A <sub>0</sub>	-1050	1865
74	OSC <sub>1</sub>	-1190	1865
75	OSC <sub>2</sub>	-1330	1865
76	E	-1490	1865
77	R/W	-1650	1865
78	V <sub>SS</sub>	-1810	1865
79	DB <sub>0</sub>	-1970	1865
80	DB <sub>1</sub>	-2130	1865
81	DB <sub>2</sub>	-2213	1330
82	DB <sub>3</sub>	-2213	1190
83	DB <sub>4</sub>	-2213	1050
84	DB <sub>5</sub>	-2213	910
85	DB <sub>6</sub>	-2213	770
86	DB <sub>7</sub>	-2213	630
87	V <sub>DD</sub>	-2213	490
88	RST	-2213	350
89	FR	-2213	210
90	V <sub>5</sub>	-2213	70
91	V <sub>3</sub>	-2213	- 70
92	V <sub>2</sub>	-2213	- 210
93	M/S	-2213	- 350
94	V <sub>4</sub>	-2213	- 490
95	V <sub>1</sub>	-2213	- 630
96	COM <sub>0</sub>	-2213	- 770
97	COM <sub>1</sub>	-2213	- 910
98	COM <sub>2</sub>	-2213	-1050
99	COM <sub>3</sub>	-2213	-1190
100	COM <sub>4</sub>	-2213	-1330

**QU01 : MB90583B**

**PIN FUNCTION**

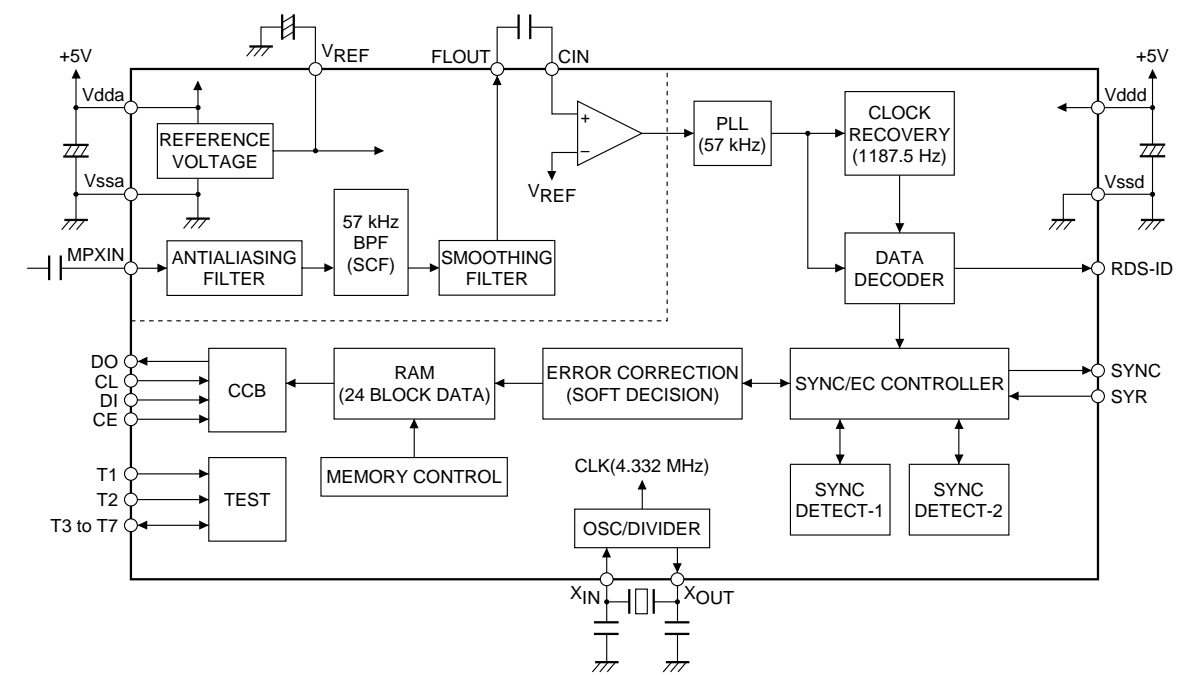
Pin	PORT	Name of port	I/O	Description
1	P20/A16	P-DOWN	I	Power Detect , LOW-SUB-CLOCK
2	P21/A17	CLK	O	ANA_SW/PLL/RDS CLOCK
3	P22/A18	DO	O	ANA_SW/PLL/RDS DATA OUT
4	P23/A19	CE0	O	ANA_SW/PLL_RDS CE
5	P24/A20	SYS_SW	I	System Switch INPUT
6	P25/A21	SD	I	TUNER SD INPUT
7	P26/A22	CE1	O	ELE.VOLUME CE
8	P27/A23	RDS-KIL	O	RDS DECODER OSC KILLER
9	P30/ALE	PLL-DI	I	DATA INPUT FROM PLL
10	P31/RD	RDS-DI	I	DATA INPUT FROM RDS
11	VSS	GND		
12	P32/WRL	LCD_DIM	O	LCD BACK LIGHT DIMMER
13	P33/WRH	AM BEAT CANCEL (AM_BT_CNCL)	O	AM BEAT CANCEL
14	P34/HRQ	CE2	O	CS WRITE
15	P35/HAK	Timer-LED	O	Timer-LED.TIMER:ACTIVE
16	P36/RDY	POWER_ON	O	Power Control
17	P37/CLK	IR-KILL	O	IR Sensor KILLER
18	P40/SIN0	TTXD	I	Flash Writer Connection
19	P41/SOT0	RC-OUT TRXD	O	REMOTE Control bus Output
20	P42/SCK0	TCK	I	Flash Writer Connection
21	P43/SIN1	RC-IN	O	REMOTE Control bus(U-ART)INPUT
22	P44/SOT1	N.C		
23	VCC	+5STB	--	Vcc
24	P45/SCK1	CS RESET	O	CS RESET Output
25	P46/ADTG	CS Load	O	CS Load Output
26	P47	N.C.		
27	C	C		
28	P71	N.C		
29	P72	N.C		
30	DVRH	GND	I	
31	DVSS	GND	I	
32	P73/DA00	N.C.	I	
33	P74/DA01	2/5 OUT	O	2CH/5CH CONTROL Output
34	AVCC	+5STB	--	Vcc
35	AVRH	+5STB	--	Vcc
36	AVRL	GND		
37	AVSS	GND		
38	P50/AN0/SIN3	KEY_IN_0	I	KEY_0 Input
39	P51/AN1/SOT3	KEY_IN_1	I	KEY_1 Input
40	P52/AN2/SCK3	OLD/NEW	I	OLD/NEW mode set
41	P53/AN3	RDS	I	RDS mode set
42	VSS	GND		
43	P54/AN4/SIN4	JPN	I	JAPAN Destination .set
44	P55/AN5/SOT4	MODEL	I	SR/PS MODEL set
45	P56/AN6/SCK4	N.C.	I	
46	P57/AN7	N.C.	I	
47	P80/IRQ0	ROT_V_A	I	Rotary Encoder(Volume) Input A
48	P81/IRQ1	ROT_V_B	I	Rotary Encoder(Volume) Input B
49	MD0	TMODE	I	CPU mode set_Flush Writer connection
50	MD1	MD1	I	CPU mode set
51	MD2	TAUX3	I/O	CPU mode set, Flush Writer connection
52	HST	HST	I	Hardware standby HOLD
53	P82/IRQ2	D_MOTOR_REV	O	Door REV.Motor ON
54	P83/IRQ3	D_MOTOR_FWD	O	Door FWD.Motor ON
55	P84/IRQ4	D_OPEN_SW	I	Door Open detect
56	P85/IRQ5	D_CLOSE_SW	I	Door Close detect
57	P86/IRQ6	ROT_J_A	I	Rotary Encoder(JOG) Input A
58	P87/IRQ7	ROT_J_B	I	Rotary Encoder(JOG) Input B
59	P60/SIN2	H_P_SW	I	Mode set by Headphone Switch
60	P61/SOT2	MUTE	O	Audio Mute output
61	P62/SCK2	CE3	O	RDS Decoder CE output
62	P63/PPG1	N.C.	I	
63	P64/PPG0	N.C	I	
64	P65/CKOT	N.C.	I	
65	TX	N.C.	O	
66	RX	N.C.	I	Fixed LOW
67	P90/TIN0/IN0	RC_IN	I	IR/RC5 INPUT
68	P91/TIN1/IN1	N.C.	I	
69	P92/TIN2/IN2	N.C.	I	
70	P93/TOT0/IN3	N.C.	I	
71	P94/TOT1/OUT0	N.C.	I	
72	P95/TOT2/OUT1	N.C.	I	
73	P96/PWC	N.C.	I	
74	P97/POT	N.C.	I	
75	PA0	N.C.	I	
76	PA1	N.C.	I	
77	RST	RST	I	CPU RESET
78	PA2	N.C.	I	
79	X1A	32kHz X'tal	--	32kHz X-tal Connect.
80	X0A	32kHz X'tal	--	32kHz X-tal Connect.
81	VSS	GND		
82	X0	8MHz X'tal	--	8MHz Ceramic Resonator Connect
83	X1	8MHz X'tal	--	8MHz Ceramic Resonator Connect
84	VCC	+5STB	--	Vcc
85	P00/AD00	TAUX	I/O	Flush Writer Connection
86	P01/AD01	---	I	CPU mode set
87	P02/AD02	RST	O	LCD Driver RESET
88	P03/AD03	LCD_RW	O	LCD Driver R/W
89	P04/AD04	LCD_RD	O	LCD Driver RD
90	P05/AD05	A0	O	LCD Driver mode set
91	P06/AD06	N.C	I	
92	P07/AD07	N.C	I	
93	P10/AD08	D0	I/O	LCD Driver data set
94	P11/AD09	D1	I/O	LCD Driver data set
95	P12/AD10	D2	I/O	LCD Driver data set
96	P13/AD11	D3	I/O	LCD Driver data set
97	P14/AD12	D4	I/O	LCD Driver data set
98	P15/AD13	D5	I/O	LCD Driver data set
99	P16/AD14	D6	I/O	LCD Driver data set
100	P17/AD15	D7	I/O	LCD Driver data set

**QU01 : PIN CONFIGURATION**

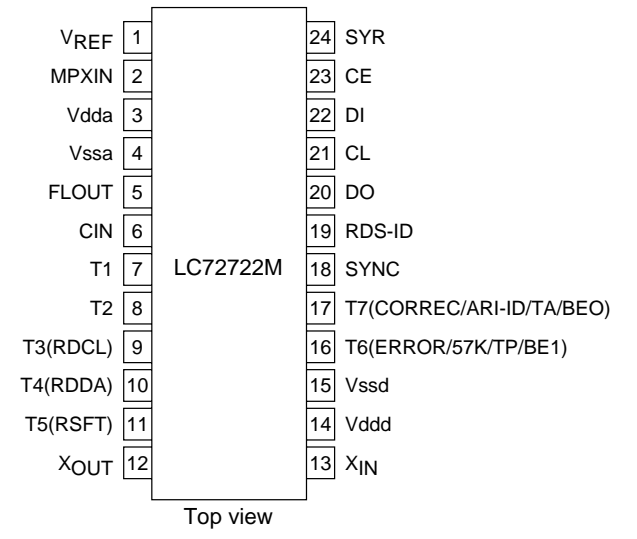


\* : N.C. pin on the MB90587

**Q351 : LC72722M  
BLOCK DIAGRAM**

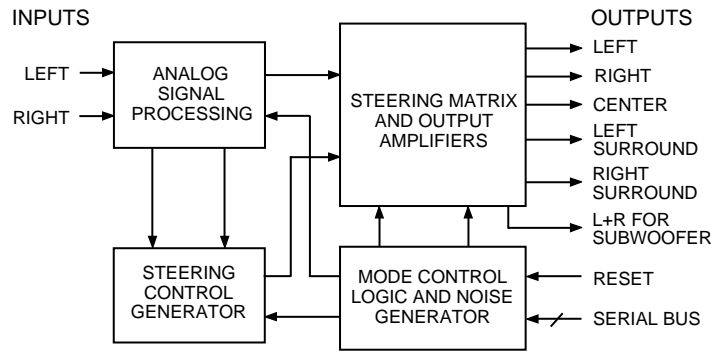


**Q351 : PIN CONFIGURATION**

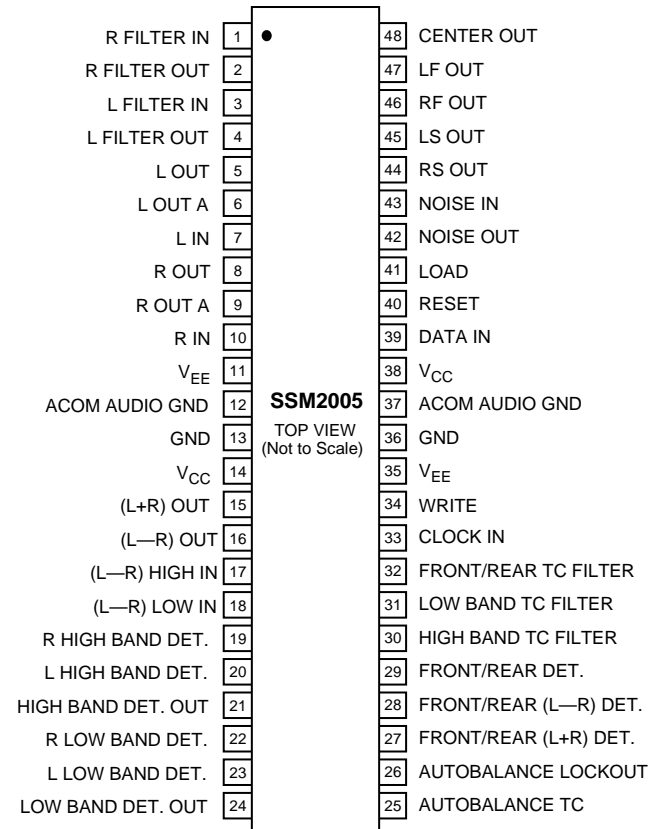


Top view

**QQ03 : SSM2005  
BLOCK DIAGRAM**



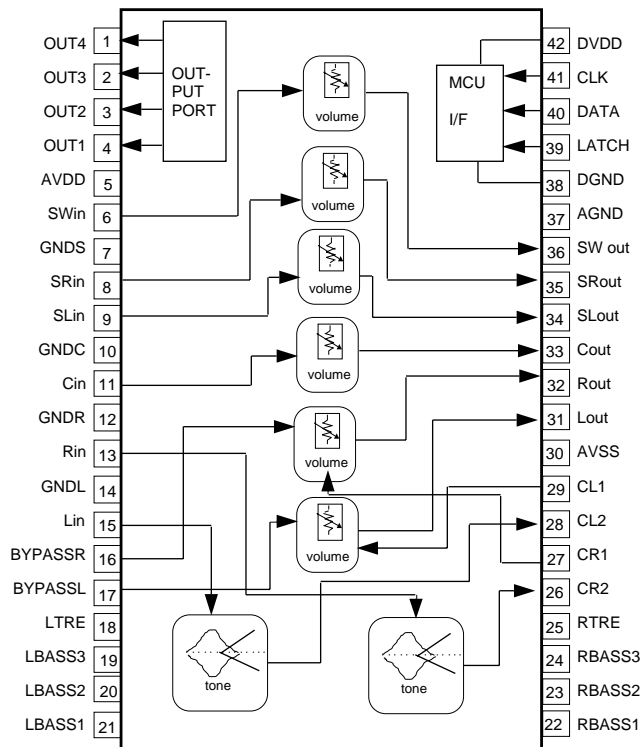
**PIN CONFIGURATION**



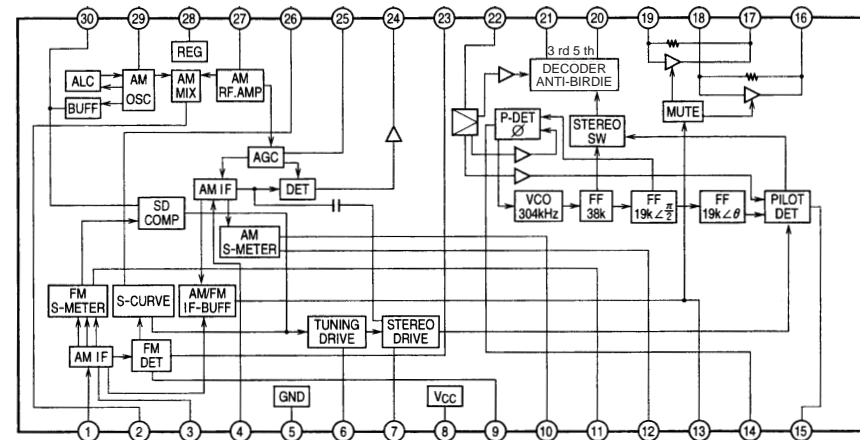
**PIN FUNCTION**

Pin #	Name	Connected to / Function:
1	R Filter In	3-Pole Active Low-Pass Filter Output; used for Center Cancelling Correction
2	R Filter Out	3-Pole Active Low-Pass Filter Input
3	L Filter In	3-Pole Active Low-Pass Filter Output; used for Center Cancelling Correction
4	L Filter Out	3-Pole Active Low-Pass Filter Input
5	L Out	Connect to Pin 6
6	L Out A	Connect to Pin 5
7	L In	Left Stereo Source Line Input; Should be 0 dBd (300 mV rms)
8	R Out	Connect to Pin 9
9	R Out A	Connect to Pin 8
10	R In	Right Stereo Source Line Input; Should be 0 dBd (300 mV rms)
11	V <sub>EE</sub>	Negative Supply
12	ACOM Audio GND	Audio Ground
13	GND	Power Ground
14	V <sub>CC</sub>	Positive Supply
15	(L+R) Out	RC to Front/Rear Detector Input
16	(L-R) Out	RC to Front/Rear Detector Input and Input of Crossover
17	(L-R)High In	Output of High-Pass Crossover
18	(L-R)Low In	Output of Low-Pass Crossover
19	R High Band Det.	RC Network Fed by Right Stereo Source Line Input
20	L High Band Det.	RC Network Fed by Left Stereo Source Line Input
21	High Band Det. Out	Capacitor to ACOM; Controls Rear High Frequency Output Steering
22	R Low Band Det.	Right Input, used for Autobalance and Low Band Steering
23	L Low Band Det.	Left Input, used for Autobalance and Low Band Steering
24	Low Band Det. Out	Capacitor to ACOM; Controls Left-to-Right Output Steering
25	Autobalance TC	RC Network to ACOM
26	Autobalance Lockout	RC Network to ACOM
27	Front/Rear (L+R) Det.	RC Network Fed by (L+R) Out (Pin 15)
28	Front/Rear (L-R)Det.	RC Network Fed by (L-R) Out (Pin 16)
29	Front/Rear Det.	Capacitor to ACOM; Controls Front-to-Back Output Steering
30	High Band TC Filter	RC Network to ACOM
31	Low Band TC Filter	RC Network to ACOM
32	Front/Rear TC Filter	RC Network to ACOM
33	Clock In	Clock from Serial Bus
34	WRITE	Chip Select from Serial Bus
35	V <sub>EE</sub>	Negative Supply
36	GND	Power Ground
37	ACOM Audio GND	Audio Ground
38	V <sub>CC</sub>	Positive supply
39	Data In	Data from Serial Bus
40	Reset	Reset from Serial Bus
41	LOAD	Load from Serial Bus
42	Noise Out	Connect to RC Filter; White Noise Output
43	Noise In	Connect to RC Filter Output; Filtered White Noise
44	RS Out	Connect to Right Surround (Rear) Amplifier Input
45	LS Out	Connect to Left Surround (Rear) Amplifier Input
46	RF Out	Connect to Right Front Amplifier Input
47	LF Out	Connect to Left Front Amplifier Input
48	Center Out	Connect to Center Amplifier Input

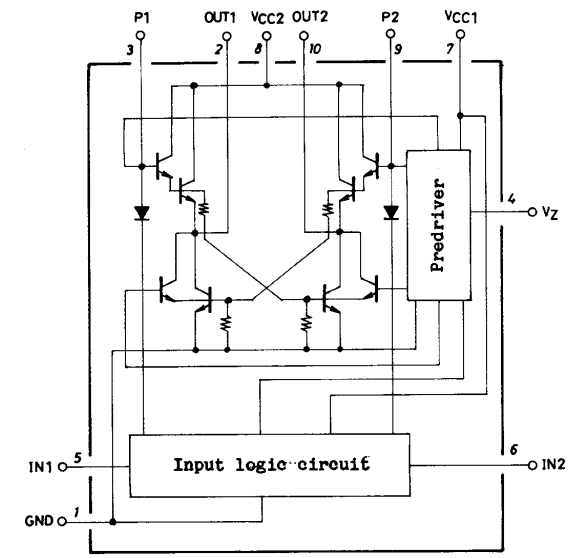
**QG01 : M62446**



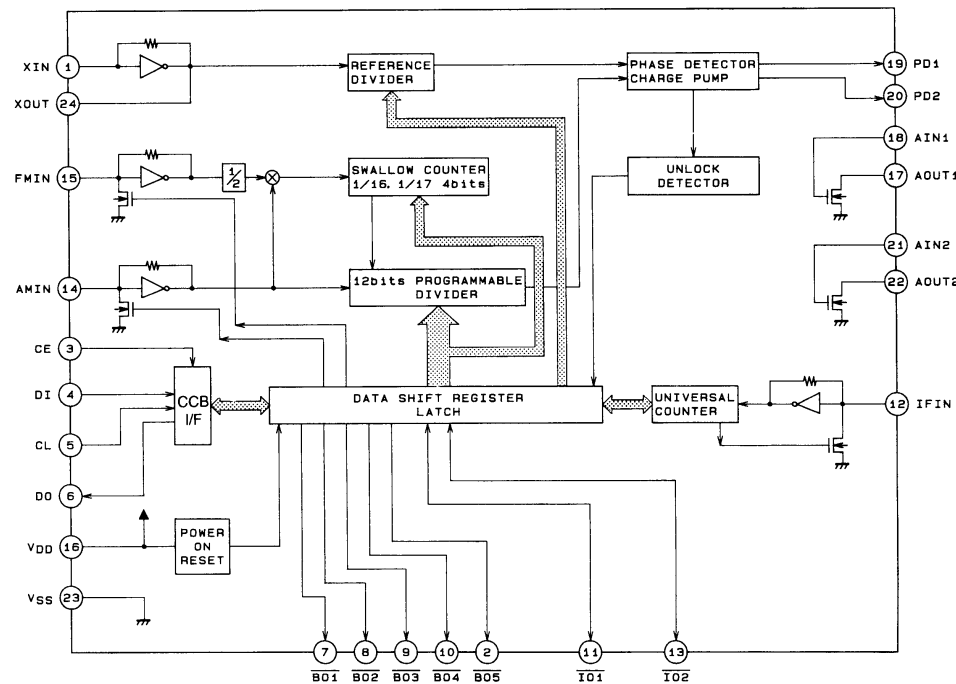
**Q201 : LA1837**



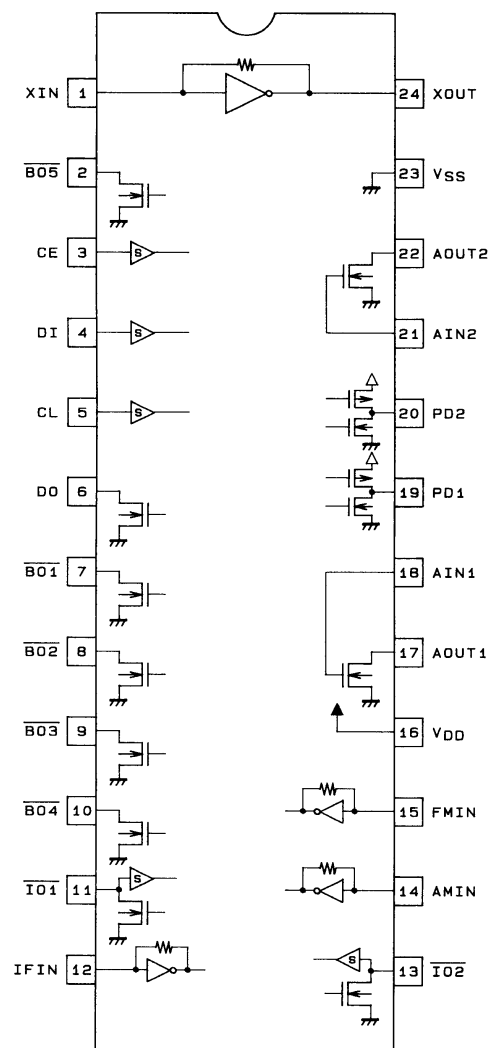
**QM01 : LB1641**



**Q501 : LC72130M  
BLOCK DIAGRAM**



**PIN CONFIGURATION**

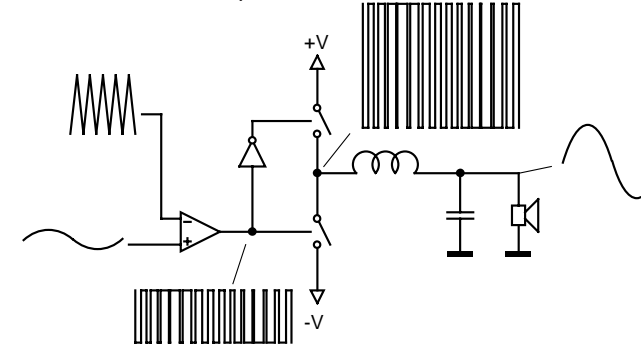


## 7. SODA (Self-Oscillating class D Amplifier)

### 7.1 Explanation of class D

#### 7.1.1 Principle

Shown below is the basic schematic of a straight-through standard class D amplifier:



A triangle wave oscillator feeds a computer which acts as a slicer for the audio signal, taking the triangle wave as a reference. The result is a square wave voltage with the same frequency as the oscillator's but with a duty cycle varying proportionally with the audio input voltage. A power buffer consisting of 2 switches reproduces the same signal with a larger amplitude (i.e. switching between the power supply rails). A LP filter passes only the average of the output wave, which is an amplified version of the input signal.

The gain may be expressed as  $G = \frac{V_{sup}}{V_{i,r,p p}}$ . It is clear that any power supply variations will cause equal variations in gain, which is intolerable.

This may be countered by scaling the amplitude of the triangle wave exactly with the power supply voltage, thus keeping the above ratio constant.

An amplifier as shown here will have some 1% distortion. In order to keep this distortion low, negative feedback is usually applied. Unlike with standard linear amplifiers this is quite a difficult thing to do.

When the output signal is fed back to the comparator the switching frequency should not be present.

If it is, it will cause the comparator to switch slightly too early or too late (depending on the phase shift imparted by the feedback loop), thus causing more distortion than it cures. A low-pass filter is absolutely necessary but this will decrease the effectiveness of the feedback loop.

The necessary trade-off can be determined using a simple rule of thumb: the switching ripple from the output must be attenuated such to a level of n dB below the audio input signal, where n is the distortion figure envisaged.

One workaround is to build the feedback loop such that the ripple fed back to the input somewhat resembles a triangle wave, so that the timing error varies linearly with the audio signal and thus cause only a minor gain error, not distortion. This is what makes most class D amplifiers work satisfactorily, although mostly their designers are quite unaware of it.

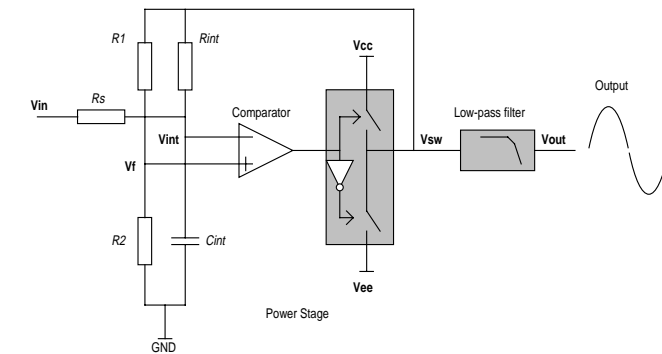
#### 7.1.2 Concept

"Everything should be as simple as possible, but no simpler." Sir Isaac Newton.

With regard to cost, how simple can one make a class D amplifier without sacrificing performance?

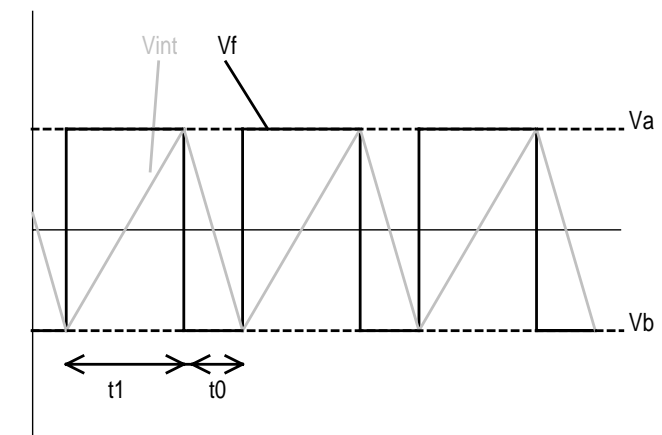
Power stage: the cheapest thinkable output stage is a pair of complementary MOSFETs, AC coupled to the driver stage with DC restoration. This eliminates the need for dead time circuitry and level shifters. The driver stage is a complementary pair of emitter followers, in turn driven directly by a low cost comparator.

PWM generation: given that feedback will be necessary (in order to have PSRR and useful distortion figures) and that feedback is an unusually complex thing to do, a new oscillator/PWM topology is in order. The solution was found to be building a "free running multivibrator" around the comparator+output stage (the latter two being topologically equivalent to a comparator simply) and injecting the audio signal into the integrating feedback node. This effectively results in a Self-Oscillating class D Amplifier (dubbed SODA) which behaves like an inverting amplifier with feedback around it.



R1 and R2 provide positive feedback to create a hysteresis. This should be set to about 100mVpp. Rint and Cint form an integrating negative feedback loop. The circuit will start oscillating as the comparator changes state each time the voltage across Cint exceeds the hysteresis loop.

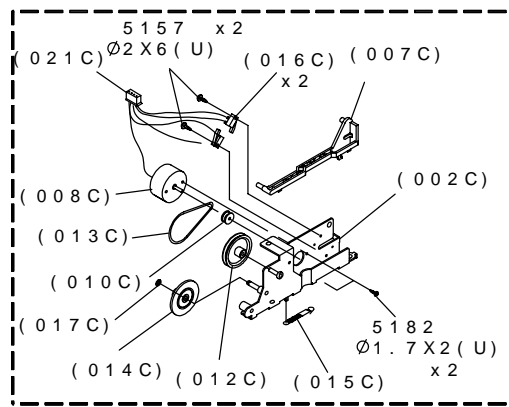
The graph below shows the operation of the circuit, with a negative voltage on Vin.



$V_f$  is  $V_{sw}$  divided down by R1 and R2, i.e.

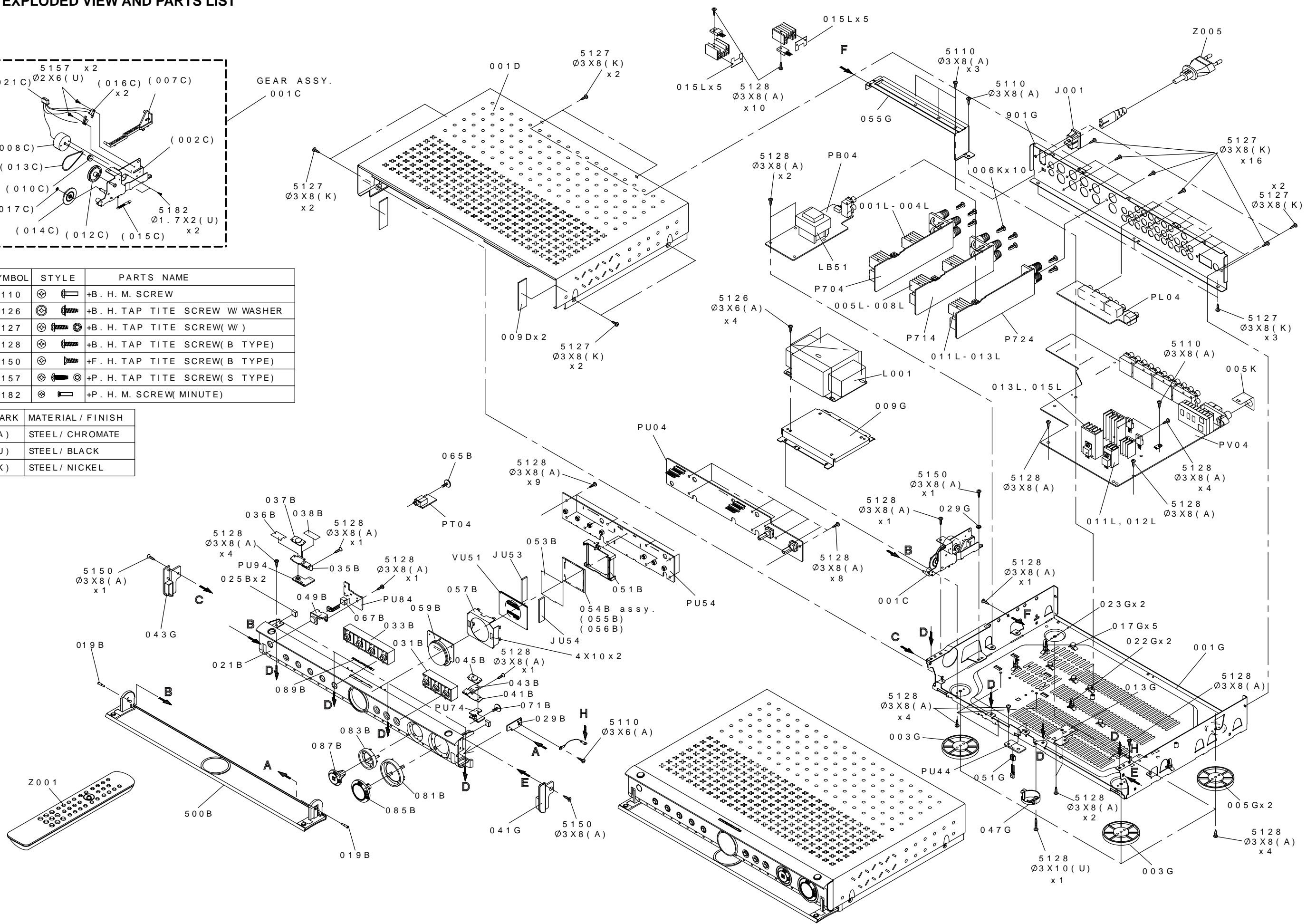
$$V_f = V_{sw} \times \frac{R_2}{R_2 + R_1} = k \times V_{sw}$$

### 8. EXPLODED VIEW AND PARTS LIST



SYMBOL	STYLE	PARTS NAME
5110		+B. H. M. SCREW
5126		+B. H. TAP TITE SCREW W WASHER
5127		+B. H. TAP TITE SCREW(W )
5128		+B. H. TAP TITE SCREW(B TYPE)
5150		+F. H. TAP TITE SCREW(B TYPE)
5157		+P. H. TAP TITE SCREW(S TYPE)
5182		+P. H. M. SCREW(MINUTE)

MARK	MATERIAL / FINISH
(A)	STEEL/ CHROMATE
(U)	STEEL/ BLACK
(K)	STEEL/ NICKEL



POS. NO	VERS. COLOR	PART NO. (PCS)	DESCRIPTION	PART NO. (MJI)
019B		9965 000 08209	SCREW FOR ESCUTCHEON	327J010110
021B		9965 000 09275	FRONT PANEL	328J248010
025B		4822 526 20213	MAGNET KIT	271K305500
031B		9965 000 08292	BUTTON (L) FOR PANEL	327J270050
033B		9965 000 08293	BUTTON (R) FOR PANEL	327J270060
035B		9965 000 08205	BUTTON (STANDBY) PANEL	327J270010
037B		9965 000 08206	LENS (STANDBY) 035B BUTTON	327J355010
041B		9965 000 08207	BUTTON (OPEN) FOR PANEL	399K270040
045B		9965 000 08208	LENS (OPEN) FOR 041B BUTTON	327J355020
049B		9965 000 08211	LENS FOR IR UPPER	327J355030
059B		9965 000 08300	WINDOW FOR LCD COVER	327J158010
081B		9965 000 08301	RING (VOLUME) FOR PANEL	327J353010
083B		9965 000 08302	RING (PUSH) FOR PANEL	327J353020
085B		9965 000 08303	KNOB (VOLUME) FOR PANEL	327J154010
087B		9965 000 08304	KNOB (PUSH) FOR PANEL	327J154020
089B		9965 000 08212	BADGE FOR PANEL	327J251110
500B		9965 000 09276	ESCUTCHEON DOOR PANEL ASSY	328J063500
001C		4822 522 33389	GEAR ASSY	446T058500
007C		4822 404 21283	LEVER	446T354010
008C		9965 000 00694	D.C MOTOR ASSY	*MM000630R
012C		4822 528 40363	PULLEY	446T262020
013C		4822 358 31264	BELT	446T264010
014C		4822 522 33388	GEAR	446T058010
015C		4822 492 33411	SPRING	446T115010
016C		4822 271 30768	MINI SWITCH LEAF SW	SM01011530
017C		4822 462 71954	STOPPER WASHER	204K114210
003G		9965 000 08217	LEG (FRONT) FOR CHASSIS	271K057270
005G		9965 000 08218	LEG (REAR) FOR CHASSIS	271K057280
041G		9965 000 08215	BUSH (R) FOR PANEL	327J259010
043G		9965 000 08216	BUSH (L) FOR PANEL	327J259020
047G		9965 000 01079	LENS FOR PANEL UNDER	282J355020
J001		4822 265 20222	PLUG AC INLET S-16453	YP04000580
▲ L001		9965 000 09221	MAINS TRANSF. 230V 50/60Hz	TS17207010
			<b>PACKING</b>	
001T	C		USER GUIDE PS2100 (C)	328J851350
001T	N	9965 000 09278	USER GUIDE PS2100 (N)	328J851310
001Z		9965 000 08331	REMOTE CONTROLLER RC2100SR	ZK327J0010
▲ Z005	C		MAINS CORD KOREA 250V	ZC02009020
▲ Z005	N	4822 321 11211	MAINS CORD EUROPE 250V 2.5A	ZC02003150
			<b>NOT STANDARD SPARE PARTS</b>	
001S			PACKING CASE	328J801010
003S			CUSHION (L)	327J809010
005S			CUSHION (R)	327J809020
013S			CUSHION FOR SET TOP SIDE	327J809110

NOTE : "nsp" PART IS LISTED FOR REFERENCE ONLY, MARANTZ WILL NOT SUPPLY THESE PARTS.

## 9. ELECTRICAL PARTS LIST

### ASSIGNMENT OF COMMON PARTS CODES.

#### RESISTORS

R\*\*\* : 1) GD05 x x x 140, Carbon film fixed resistor, ±5% 1/4W  
 R\*\*\* : 2) GD05 x x x 160, Carbon film fixed resistor, ±5% 1/6W  
 → ① Resistance value

#### Examples

① Resistance value  
 0.1Ω ..... 001    10Ω ..... 100    1kΩ ..... 102    100kΩ ..... 104  
 0.5Ω ..... 005    18Ω ..... 180    2.7kΩ ..... 272    680kΩ ..... 684  
 1Ω ..... 010    100Ω ..... 101    10kΩ ..... 103    1MΩ ..... 105  
 6.8Ω ..... 068    390Ω ..... 391    22kΩ ..... 223    4.7MΩ ..... 475

**Note** : Please distinguish 1/4W from 1/6W by the shape of parts used actually.

#### CAPACITORS

C\*\*\* : CERAMIC CAP.

3) DD1 x x x x 370, Ceramic capacitor  
 ↓ Disc type  
 ↓ Temp. coeff. P350~N1000, 50V  
 ↓ ③ Capacity value  
 ↓ ② Tolerance

#### Examples

② Tolerance (Capacity deviation)  
 ±0.25 pF ..... 0  
 ±0.5 pF ..... 1  
 ±5 % ..... 5  
 Tolerance of COMMON PARTS handled here are as follows :  
 0.5 pF - 5 pF ..... ± 0.25 pF  
 6 pF - 10 pF ..... ± 0.5 pF  
 12 pF - 560 pF ... ± 5 %

#### ③ Capacity value

0.5 pF .... 005    3 pF ..... 030    100 pF ..... 101  
 1 pF .... 010    10 pF ..... 100    220 pF ..... 221  
 1.5 pF .... 015    47 pF ..... 470    560 pF ..... 561

C\*\*\* : CERAMIC CAP.

4) DK16 x x x 300, High dielectric constant ceramic capacitor  
 ↓ Disc type  
 ↓ Temp. chara. 2B4, 50V  
 ↓ ④ Capacity value

#### Examples

④ Capacity value  
 100 pF ..... 101    1000 pF ..... 102    10000 pF ..... 103  
 470 pF ..... 471    2200 pF ..... 222

C\*\*\* : 5) ELECTROLY CAP. (  ), 6) FILM CAP (  )

5) EA x x x x x 10, Electrolytic capacitor  
 ↓ One-way lead type, Tolerance ±20%  
 ↓ ⑥ Working voltage  
 ↓ ⑤ Capacity value

#### Examples

⑤ Capacity value  
 0.1μ F .... 104    4.7μ F .... 475    100μ F ..... 107  
 0.33μ F .... 334    10μ F .... 106    330μ F ..... 337  
 1μ F .... 105    22μ F .... 226    1100μ F ..... 118  
 2200μ F .... 228

⑥ Working voltage  
 6.3 V ..... 006    25 V ..... 025  
 10 V ..... 010    35 V ..... 035  
 16 V ..... 016    50 V ..... 050

6) DF15 x x x 350 → Plastic film capacitor  
 DF15 x x x 310 → One-way type, Mylar ±5% 50V  
 DF16 x x x 310 → Plastic film capacitor  
 ↓ One-way type, Mylar ±10% 50V  
 ↓ ⑦ Capacity value

#### Examples

⑦ Capacity value  
 0.001μ F (1000 pF) ..... 102    0.1μ F ..... 104  
 0.0018μ F ..... 182    0.56μ F ..... 564  
 0.01μ F ..... 103    1μ F ..... 105  
 0.015μ F ..... 153

**NOTE** 1) The above CODES (R\*\*\*, R\*\*\*, C\*\*\*, C\*\*\* and C\*\*\*) are omitted on the schematic diagram in some case.

2) On the occasion, be confirmed the common parts on the parts list.

3) Refer to "Common Parts List" for the other common parts (RI05, DD4, DK4).

### NOTE ON SAFETY FOR FUSIBLE RESISTOR :

The suppliers and their type numbers of fusible resistors are as follows ;

1. KOA Corporation

Part No.(MJI)	Type No.(KOA)	Description
NH05 x x x 140	RF25S x x x x Ω	J ±5% (1/4W)
NH05 x x x 120	RF50S x x x x Ω	J ±5% (1/2W)
NH85 x x x 110	RF73B2A x x x x Ω	J ±5% (1/10W)
NH95 x x x 140	RF73B2E x x x x Ω	J ±5% (1/4W)

↓ \* Resistance value    ↓ Resistance value (0.1Ω - 10kΩ)

2. Matsushita Electronic Components Co., Ltd

Part No.(MJI)	Type No.(MEC)	Description
NF05 x x x 140	ERD-2FCJ x x x	(±5% 1/4W)
RF05 x x x 140	ERD-2FCG x x x	(±2% 1/4W)
NF02 x x x 140		
RF02 x x x 140		

↓ \* Resistance value

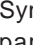
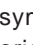
#### Examples

\* Resistance value  
 0.1Ω ..... 001    10Ω ..... 100    1kΩ ..... 102    100kΩ ..... 104  
 0.5Ω ..... 005    18Ω ..... 180    2.7kΩ ..... 272    680kΩ ..... 684  
 1Ω ..... 010    100Ω ..... 101    10kΩ ..... 103    1MΩ ..... 105  
 6.8Ω ..... 068    390Ω ..... 391    22kΩ ..... 223    4.7MΩ ..... 475


### ABBREVIATION AND MARKS

ANT. : ANTENNA	BATT. : BATTERY
CAP. : CAPACITOR	CER. : CERAMIC
CONN. : CONNECTING	DIG. : DIGITAL
HP : HEADPHONE	MIC. : MICROPHONE
μ-PRO : MICROPROCESSOR	REC. : RECORDING
RES. : RESISTOR	SPK : SPEAKER
SW : SWITCH	TRANSF. : TRANSFORMER
TRIM. : TRIMMING	TRS. : TRANSISTOR
VAR. : VARIABLE	X' TAL : CRYSTAL

### NOTE ON SAFETY:

Symbol  Fire or electrical shock hazard. Only original parts should be used to replaced any part marked with symbol  Any other component substitution ( other than original type), may increase risk of fire or electrical shock hazard.

### 安全上の注意 :

 がついている部品は、安全上重要な部品です。必ず指定されている部品番号の部品を使用して下さい。



POS. NO	VERS. COLOR	PART NO. (PCS)	DESCRIPTION	PART NO. (MJI)	POS. NO	VERS. COLOR	PART NO. (PCS)	DESCRIPTION	PART NO. (MJI)
			<b>PB04-U-COM SUPPLY CIRCUIT BOARD</b>						
			<b>PB04-CAPACITORS</b>						
▲ CB01			CER. 0.01µF M	DK17103910	RL56				
CB02		4822 124 22723	ELECT 1000µF M 25V RA-2	OA10802520	RL60		9965 000 09267	CHIP 82 Ω ±5% 1/16W	NN05820610
CB03		4822 124 80067	ELECT 4.7µF M 50V RA-2	OA47505020	RL61		4822 051 30151	CHIP 150 Ω ±5% 1/16W	NN05151610
CB04		4822 124 41543	ELECT 1µF M 50V RA-2	OA10505020	RL62		4822 051 30682	CHIP 6.8k Ω ±5% 1/16W	NN05682610
CB05		4822 126 14417	CER. 0.01µF ±10% 50V	DK96103300	RL63		4822 051 30682	CHIP 6.8k Ω ±5% 1/16W	NN05682610
CB06		5322 124 21731	ELECT 10µF M 50V RA-2	OA10605020					
CB07		4822 126 11687	CER. 0.1µF +80%-20%	DK98104200	DL51		4822 130 83715	<b>PL04-SEMICONDUCTORS</b>	
C901		4822 126 14417	CER. 0.01µF ±10% 50V	DK96103300				CHIP DIODE 1SS301 DAN202U	HZ21005000
C902		4822 126 11687	CER. 0.1µF +80%-20%	DK98104200	QL51		9965 000 03394	IC NJM2296M	HC10210090
			<b>PB04-RESISTORS</b>					<b>PL04-MISCELLANEOUS</b>	
▲ RB02		4822 116 82805	1 Ω J 1/16W	GG05010160	JL51		9965 000 05815	TERMINAL 1P RCA PIN JACK (YELLOW)	YT02010560
RB03		4822 051 30103	CHIP 10k Ω J 1/16W	NN05103610	JL52		9965 000 03415	TERMINAL 14X14 RA 1L3P YEL NI F-GROUND	YT02030590
RB04		4822 117 13632	CHIP 100k Ω J 1/16W	NN05104610	JL53		9965 000 03415	TERMINAL 14X14 RA 1L3P YEL NI F-GROUND	YT02030590
RB05		4822 117 13632	CHIP 100k Ω J 1/16W	NN05104610					
RB06		4822 051 30472	CHIP 4.7k Ω ±5% 1/16W	NN05472610					
▲ RB07		4822 050 22209	22 Ω J 1/4W	GG05220140				<b>PT04-HEADPHONE CIRCUIT BOARD</b>	
R901		4822 117 12925	CHIP 47k Ω J 1/16W	NN05473610				<b>PT04-CAPACITORS</b>	
R902		4822 051 30479	CHIP 47 Ω J 1/16W	NN05470610	CT03		4822 122 40617	CER. 0.1µF +80 -20% 50V DC	DD38104010
R903		4822 117 12925	CHIP 47k Ω ±5% 1/16W	NN05473610	CT11		5322 126 11578	CER. 1000pF ±10% B 50V	DK96102300
			<b>PB04-SEMICONDUCTORS</b>		CT12		5322 126 11578	CER. 1000pF ±10% B 50V	DK96102300
▲ DB01									
DB04		4822 130 82019	CHIP DIODE	HZ20002080				<b>PT04-MISCELLANEOUS</b>	
DB05		4822 130 83715	SFPL-52 200V10.9A		JT01		9965 000 08313	JACK HEADPHONE YKB21-5144	YJ01004710
DB06		4822 130 83715	CHIP DIODE 1SS301 DAN202U	HZ21005000				<b>PU04-CPU RDS JOG VOLUME CIRCUIT BOARD</b>	
D901		4822 130 83715	CHIP DIODE 1SS301 DAN202U	HZ21005000				<b>PU04-CAPACITORS</b>	
D902		4822 130 83715	CHIP DIODE 1SS301 DAN202U	HZ21005000	CU01			ELECT 100µF 6.3V	EJ10700610
					CU02		9965 000 08314	BIG ELECT 0.22µF 5.5V DX-5R5L224	EX22400540
▲ QB01		4822 209 32514	IC L76MR06	HC10263030	CU03			ELECT 100µF 6.3V	EJ10700610
QB02		4822 130 61189	SEMICON.COMP	BA20004000	CU04		4822 126 14417	CER. 0.01µF ±10% 50V	DK96103300
QB03		4822 130 43283	DTC114TS/UN4215 10K	HT327052A0	CU05		9965 000 08314	BIG ELECT 0.22µF 5.5V DX-5R5L224	EX22400540
Q901		5322 209 13487	TRS. 2SC2705 O OR Y	HC10442050	CU06		4822 122 33752	CER. 15pF ±5% CG 50V	DD95150300
			<b>PB04-MISCELLANEOUS</b>		CU07		4822 122 33752	CER. 15pF ±5% CG 50V	DD95150300
▲ FB01		4822 253 30415	FUSE T1.6A 250V BS LISTED	FS10160850	CU08			FILM 0.1µF J N 50V	DF15104350
J901		4822 267 41009	TERMINAL RC I/O	YT02020890	CU09			ELECT 100µF 6.3V	EJ10700610
					CU13			ELECT 100µF 6.3V	EJ10700610
▲ LB01		9965 000 00681	RELAY POWER RELAY G5PA-1 5A	LY10120400	CU14		4822 126 14417	CER. 0.01µF ±10% 50V	DK96103300
▲ LB02		9965 000 05888	POWER TRANSF. 230V 50Hz	TS12812020	CU15			FILM 0.1µF J N 50V	DF15104350
S901		4822 277 21712	SLIDE SWITCH SSSS92	SS02021470	CU16		4822 126 14417	CER. 0.01µF ±10% 50V	DK96103300
			<b>PL04-VIDEO SW CIRCUIT BOARD</b>		CU31				
			<b>PL04-CAPACITORS</b>		CU38		4822 122 10172	CER. 220pF ±10%	DK96221300
CL51									
CL55		5322 124 21731	ELECT 10µF M 50V RA-2	OA10605020	C351	N	4822 126 14417	CER. 0.01µF ±10% 50V	DK96103300
CL56		4822 122 33777	CER. 47pF ±5% CG 50V	DD95470300	C352	N		ELECT 10µF 16V	EJ10601610
CL57		4822 122 33777	CER. 47pF ±5% CG 50V	DD95470300	C353	N	4822 126 13267	CER. 330pF ±10%	DK96331300
CL59		4822 124 90353	ELECT 100µF M 10V RA-2	OA10701020	C354	N	4822 126 14249	CER. 560pF ±10%	DK96561300
CL85		4822 126 11687	CER. 0.1µF +80%-20%	DK98104200	C355	N		ELECT 10µF 16V	EJ10601610
CL86		4822 126 11687	CER. 0.1µF +80%-20%	DK98104200	C356	N	4822 122 33752	CER. 15pF ±5% CG 50V	DD95150300
CL87		4822 126 11687	CER. 0.1µF +80%-20%	DK98104200	C357	N	4822 122 33752	CER. 15pF ±5% CG 50V	DD95150300
CL92		4822 126 11687	CER. 0.1µF +80%-20%	DK98104200	C358	N		ELECT 100µF 6.3V	EJ10700610
CL93		4822 126 11687	CER. 0.1µF +80%-20%	DK98104200				<b>PU04-RESISTORS</b>	
CL94		4822 124 90353	ELECT 100µF M 10V RA-2	OA10701020	RU01		4822 116 82487	CHIP 0 Ω ±5% 1/16W	NN05000610
CL95		4822 124 90353	ELECT 100µF M 10V RA-2	OA10701020	RU02		4822 116 82487	CHIP 0 Ω ±5% 1/16W	NN05000610
			<b>PL04-RESISTORS</b>		RU07		4822 051 30103	CHIP 10k Ω ±5% 1/16W	NN05103610
RL52		4822 051 30151	CHIP 150 Ω ±5% 1/16W	NN05151610	RU09		4822 051 30103	CHIP 10k Ω ±5% 1/16W	NN05103610
RL55					RU10		4822 051 30103	CHIP 10k Ω ±5% 1/16W	NN05103610
					RU12	N	4822 051 30103	CHIP 10k Ω ±5% 1/16W	NN05103610

NOTE : \*nsp\* PART IS LISTED FOR REFERENCE ONLY, MARANTZ WILL NOT SUPPLY THESE PARTS.

POS. NO	VERS. COLOR	PART NO. (PCS)	DESCRIPTION	PART NO. (MJI)	POS. NO	VERS. COLOR	PART NO. (PCS)	DESCRIPTION	PART NO. (MJI)	
RU15	C	4822 116 82487	CHIP 0 Ω ±5% 1/16W	NN05000610	Q351	N	9965 000 06293	IC LC72722M RDS DECODER	HC10404030	
RU16		4822 116 82487	CHIP 0 Ω ±5% 1/16W	NN05000610	Q352	N	4822 130 42593	SEMICON.COMP	BA12303000	
RU17		4822 116 82487	CHIP 0 Ω ±5% 1/16W	NN05000610	Q353	N	4822 130 61553	DTA124EU RN2303	BA21303000	
RU18		4822 051 30103	CHIP 10k Ω ±5% 1/16W	NN05103610				SEMICON.COMP		
RU19		4822 051 30181	CHIP 180 Ω ±5% 1/16W	NN05181610				DTC124EU RN1303		
RU20		4822 051 30479	CHIP 47 Ω ±5% 1/16W	NN05470610	<b>PU04-MISCELLANEOUS</b>					
RU21		4822 117 12139	CHIP 22 Ω ±5% 1/16W	NN05220610						
RU22		4822 051 30221	CHIP 220 Ω ±5% 1/16W	NN05221610	XU01		4822 242 72066	SERAMIC VIB. CST8.0MHz	FQ08004010	
RU23		}	4822 051 30103	CHIP 10k Ω ±5% 1/16W	NN05103610	XU02		4822 242 72236	CRYSTAL DT-38 32.768KHz	XO001001T2
RU30						X351	N	4822 242 10857	CRYSTAL 4.332MHz X-TAL	JX04003260
RU31			4822 117 12925	CHIP 47k Ω ±5% 1/16W	NN05473610	<b>PU44-IR SENSOR (BOTTOM) CIRCUIT BOARD</b>				
RU32			4822 051 30153	CHIP 15k Ω ±5% 1/16W	NN05153610					
RU33			4822 117 12925	CHIP 47k Ω ±5% 1/16W	NN05473610	CU41			ELECT CAP. 47μF 6.3V	EJ47600610
RU34			4822 051 30153	CHIP 15k Ω ±5% 1/16W	NN05153610	RU41		4822 051 30101	CHIP RES. 100 Ω ±5% 1/16W	NN05101610
RU35			4822 117 12925	CHIP 47k Ω ±5% 1/16W	NN05473610					
RU36			4822 051 30153	CHIP 15k Ω ±5% 1/16W	NN05153610	QU41		4822 130 11515	PHOTO UNIT 36KHz	HW10005210
RU37			4822 117 12925	CHIP 47k Ω ±5% 1/16W	NN05473610					
RU38			4822 051 30153	CHIP 15k Ω ±5% 1/16W	NN05153610	<b>PU54-LCD TACT SW CIRCUIT BOARD</b>				
RU40			4822 051 30103	CHIP 10k Ω ±5% 1/16W	NN05103610					
RU42			4822 051 30103	CHIP 10k Ω J 1/16W	NN05103610	<b>PU54-CAPACITOR</b>				
RU43			4822 051 30103	CHIP 10k Ω J 1/16W	NN05103610					
RU70			4822 051 30103	CHIP 10k Ω ±5% 1/16W	NN05103610	CU51		4822 126 14417	CER. 0.01μF ±10% 50V	DK96103300
RU73			4822 117 13632	CHIP 100k Ω ±5% 1/16W	NN05104610	<b>PU54-RESISTORS</b>				
R352		N	4822 117 13632	CHIP 100k Ω ±5% 1/16W	NN05104610					
R353		N	4822 051 30474	CHIP 470k Ω ±5% 1/16W	NN05474610	RU39		4822 117 12925	CHIP 47k Ω ±5% 1/16W	NN05473610
R354		N	4822 051 30103	CHIP 10k Ω ±5% 1/16W	NN05103610	RU51		4822 051 30103	CHIP 10k Ω ±5% 1/16W	NN05103610
R356		N		470 Ω ±5% 1/4W	GG05471140	RU52		4822 051 30152	CHIP 1.5k Ω ±5% 1/16W	NN05152610
R357		N	4822 051 30103	CHIP 10k Ω ±5% 1/16W	NN05103610	RU53		4822 051 30222	CHIP 2.2k Ω ±5% 1/16W	NN05222610
				<b>PU04-SEMICONDUCTORS</b>		RU54		4822 051 30332	CHIP 3.3k Ω ±5% 1/16W	NN05332610
DU01			4822 130 80522	CHIP DIODE 1SS300 DAP202U	HZ21006000	RU55		4822 051 30682	CHIP 6.8k Ω ±5% 1/16W	NN05682610
DU02			4822 130 80522	CHIP DIODE 1SS300 DAP202U	HZ21006000	RU56		4822 051 30103	CHIP 10k Ω ±5% 1/16W	NN05103610
DU04			4822 130 80522	CHIP DIODE 1SS300 DAP202U	HZ21006000	RU57		4822 051 30103	CHIP 10k Ω ±5% 1/16W	NN05103610
DU05			4822 130 80522	CHIP DIODE 1SS300 DAP202U	HZ21006000	RU58		4822 051 30152	CHIP 1.5k Ω ±5% 1/16W	NN05152610
DU06			4822 130 83715	CHIP DIODE 1SS301 DAN202U	HZ21005000	RU59		4822 051 30222	CHIP 2.2k Ω ±5% 1/16W	NN05222610
DU07			4822 130 80522	CHIP DIODE 1SS300 DAP202U	HZ21006000	RU60		4822 051 30332	CHIP 3.3k Ω ±5% 1/16W	NN05332610
DU08		4822 130 80522	CHIP DIODE 1SS300 DAP202U	HZ21006000	RU62		4822 051 30103	CHIP 10k Ω ±5% 1/16W	NN05103610	
DU41		4822 130 80522	CHIP DIODE 1SS300 DAP202U	HZ21006000						
DU81		4822 130 80522	CHIP DIODE 1SS300 DAP202U	HZ21006000	RU65					
D351	N	9322 127 99685	CHIP DIODE UDZ5.1B	HZ30004210	RU66		4822 116 82487	CHIP 0 Ω ±5% 1/16W	NN05000610	
QU01		9965 000 09237	IC MB90F583B 16BIT (PROGRAMMED)	*HS328JFOR	RU67		4822 051 30472	CHIP 4.7k Ω ±5% 1/16W	NN05472610	
QU04		4822 130 61553	SEMICON.COMP	BA21303000	RU68		4822 051 30105	CHIP 1M Ω ±5% 1/16W	NN05105610	
QU06		4822 130 61553	DTC124EU RN1303 SEMICON.COMP	BA21303000	RU71		4822 051 30471	CHIP 470 Ω ±5% 1/16W	NN05471610	
QU13		4822 130 61553	DTC124EU RN1303 SEMICON.COMP	BA21303000	RU72		4822 051 30101	CHIP 100 Ω ±5% 1/16W	NN05101610	
QU14		4822 130 42593	SEMICON.COMP	BA12303000	RU74		4822 116 82487	CHIP 0 Ω ±5% 1/16W	NN05000610	
QU15		4822 130 61553	DTA124EU RN2303 SEMICON.COMP	BA21303000	RU75		4822 051 30103	CHIP 10k Ω ±5% 1/16W	NN05103610	
QU16		4822 130 61553	DTC124EU RN1303 SEMICON.COMP	BA21303000	RU98		4822 116 82487	CHIP 0 Ω ±5% 1/16W	NN05000610	
QU17		4822 130 63496	SEMICON.COMP	BA21311000	DU51		9965 000 08222	L.E.D. NSCW100	HI10002980	
QU18		9965 000 08322	IC S-80825ANNP-EDN 2.5V RESET	HC10097530	DU52		9965 000 08222	L.E.D. NSCW100	HI10002980	
QU19		4822 130 61553	DTC124EU RN1303 SEMICON.COMP	BA21303000	DU53		9965 000 08222	L.E.D. NSCW100	HI10002980	
QU20		9965 000 08323	IC S-80843ALNP-EA7-T2 4.3V RESET	HC10098530	DU54		4822 130 80522	CHIP DIODE 1SS300 DAP202U	HZ21006000	
QU31		4822 130 61541	CHIP TRS. 2SC4116 Y OR GR	HX341162B0	DU55		4822 130 81324	CHIP DIODE 1SS302	HZ20018050	
QU32		4822 130 61541	CHIP TRS. 2SC4116 Y OR GR	HX341162B0	QU51		9965 000 08223	IC NJU6450A	HC10215090	
QU33		4822 130 61541	CHIP TRS. 2SC4116 Y OR GR	HX341162B0	QU53		4822 130 61553	SEMICON.COMP	BA21303000	
QU34		4822 130 61541	CHIP TRS. 2SC4116 Y OR GR	HX341162B0	<b>PU54-MISCELLANEOUS</b>					
					SU31		9965 000 05915	ROTARY SWITCH EC11B	SR03030030	
					SU32		9965 000 08324	ROT.ENCODER WITH PUSH.	SR03030050	
					SU51			ROTARY SWITCH		
					}		4822 276 13732	ENCODER 16PULSE		
					SU57			PUSH SWITCH SKQNAE	SP01013310	
					VU51		9965 000 08325	DISPLAY UNIT RECEIVER LCD	HQ21001800	

NOTE : \*nsp\* PART IS LISTED FOR REFERENCE ONLY, MARANTZ WILL NOT SUPPLY THESE PARTS.

POS. NO	VERS. COLOR	PART NO. (PCS)	DESCRIPTION	PART NO. (MJI)	POS. NO	VERS. COLOR	PART NO. (PCS)	DESCRIPTION	PART NO. (MJI)
SU71		4822 276 13732	<b>PU74-DOOR TACT SW CIRCUIT BOARD</b> PUSH SWITCH SKQNAE	SP01013310	CQ03		4822 126 13837	CER. 0.1μF ±10% B 10V	DK96104200
CU81			<b>PU84-IR SENSOR (LEFT) CIRCUIT BOARD</b> ELECT CAP. 100μF 6.3V	EJ10700610	CQ04		4822 126 11685	CER. 4700pF ±10% B 50V	DK96472300
RU81		4822 051 30101	CHIP RES. 100 Ω ±5% 1/16W	NN05101610	CQ05		4822 126 14417	CER. 0.01μF ±10% 50V	DK96103300
QU81		4822 130 11494	PHOTO UNIT RPM6936-V4	HW10004210	CQ06		5322 124 21731	ELECT 10μF M 50V RA-2	OA10605020
DU91		4822 130 70023	<b>PU94-POWER TACT SW/LED CIRCUIT BOARD</b> L.E.D. SML-020MVT89	HI10096210	CQ07		4822 126 13837	CER. 0.1μF ±10% B 10V	DK96104200
SU91		4822 276 13732	PUSH SWITCH SKQNAE	SP01013310	CQ08		4822 126 11685	CER. 4700pF ±10% B 50V	DK96472300
CA01		4822 126 14417	<b>PV04-MAIN CIRCUIT BOARD PV04-CAPACITORS</b> CER. 0.01μF ±10% 50V	DK96103300	CQ09		4822 126 14417	CER. 0.01μF ±10% 50V	DK96103300
CA03		9965 000 09268	CER. 9pF ±0.5pF CH 50V	DD91090300	CQ10		5322 124 21731	ELECT 10μF M 50V RA-2	OA10605020
CA18		4822 124 80067	ELECT 4.7μF M 50V RA-2	OA47505020	CQ11		4822 126 13837	CER. 0.1μF ±10% B 10V	DK96104200
CG01					CQ12		4822 126 13837	CER. 0.1μF ±10% B 10V	DK96104200
CG06	}	4822 122 10172	CER. 220pF ±10%	DK96221300	CQ13		4822 126 13837	CER. 0.1μF ±10% B 10V	DK96104200
CG07	}	5322 124 21731	ELECT 10μF M 50V RA-2	OA10605020	CQ14		5322 126 11578	CER. 1000pF ±10% B 50V	DK96102300
CG12	}	5322 124 21731	ELECT 10μF M 50V RA-2	OA10605020	CQ15		5322 126 11578	CER. 1000pF ±10% B 50V	DK96102300
CG13	}				CQ16		5322 124 21731	ELECT 10μF M 50V RA-2	OA10605020
CG18	}	4822 126 13956	CER. 68pF ±5%	DD95680300	CQ17		4822 126 13837	CER. 0.1μF ±10% B 10V	DK96104200
CG19	}				CQ18		4822 122 31765	CER. 100pF ±5% CG 50V	DD95101300
CG24	}	4822 122 31765	CER. 100pF ±5% CG 50V	DD95101300	CQ19		4822 126 14417	CER. 0.01μF ±10% 50V	DK96103300
CG25	}				CQ20		5322 124 21731	ELECT 10μF M 50V RA-2	OA10605020
CG30	}	5322 124 21731	ELECT 10μF M 50V RA-2	OA10605020	CQ21		4822 126 13837	CER. 0.1μF ±10% B 10V	DK96104200
CG31	}				CQ22		4822 126 13837	CER. 0.1μF ±10% B 10V	DK96104200
CG32	}	4822 126 13302	CER. 8200pF ±10%	DK96822200	CQ23			FILM 1μF J 50V	DF15105350
CG33	}	4822 124 42182	FILM 0.015μF J M 50V	DF15153350	CQ24		4822 126 13837	CER. 0.1μF ±10% B 10V	DK96104200
CG34	}	4822 124 42182	FILM 0.33μF J T 50V	DF15334350	CQ25			FILM 1μF J 50V	DF15105350
CG35	}	4822 124 90353	FILM 0.33μF J T 50V	DF15334350	CQ26		4822 126 13837	CER. 0.1μF ±10% B 10V	DK96104200
CG36	}	4822 124 90353	FILM 0.015μF J M 50V	DF15153350	CQ27		5322 124 21731	ELECT 10μF M 50V RA-2	OA10605020
CG37	}	4822 126 13302	CER. 8200pF ±10%	DK96822200	CQ28		4822 126 13837	CER. 0.1μF ±10% B 10V	DK96104200
CG38	}	4822 124 42182	ELECT 3.3μF M 50V RA-2	OA33505020	CQ29			FILM 1μF J 50V	DF15105350
CG39	}	4822 124 90353	ELECT 3.3μF M 50V RA-2	OA33505020	CQ30		4822 124 90362	ELECT 22μF M 50V RA-2	OA22605020
CG40	}	4822 124 90353	ELECT 100μF M 10V RA-2	OA10701020	CQ31			FILM 1μF J 50V	DF15105350
CG41	}	4822 124 90353	ELECT 100μF M 10V RA-2	OA10701020	CQ34				
CG43	}				CQ35		4822 126 13837	CER. 0.1μF ±10% B 10V	DK96104200
CG48	}	4822 126 11687	CER. 0.1μF +80%-20%	DK98104200	CQ36			CER. 0.22μF K	DK56224200
CG49	}				CQ37			FILM 1μF J 50V	DF15105350
CG50	}	4822 116 82487	CHIP RES. 0 Ω ±5% 1/16W	NN05000610	CQ38			FILM 1μF J 50V	DF15105350
CG51	}	4822 124 90354	ELECT 100μF M 16V RA-2	OA10701620	CQ39		4822 126 13837	CER. 0.1μF ±10% B 10V	DK96104200
CM01		4822 126 14417	CER. 0.01μF ±10%	DK96103300	CQ40			CER. 0.22μF K	DK56224200
CM02		4822 126 14417	CER. 0.01μF ±10%	DK96103300	CQ41			FILM 0.47μF J T 50V	DF15474350
CM03		4822 126 14417	CER. 0.01μF ±10%	DK96103300	CQ42			FILM 1μF J 50V	DF15105350
CM04		4822 124 12404	ELECT 220μF M 16V RA-2	OA22701620	CQ43			FILM 1μF J 50V	DF15105350
CM05		4822 126 11687	CER. 0.1μF +80%-20%	DK98104200	CQ44			FILM 0.47μF J 50V	DF15474350
CP01		4822 124 22273	ELECT 0.47μF M 50V RA-2	OA47405020	CQ45		5322 124 21731	ELECT 10μF M 50V RA-2	OA10605020
CP02	}				CQ47				
CP06	}	4822 122 31765	CER. 100pF ±5% CG 50V	DD95101300	CQ51		4822 122 31765	CER. 100pF ±5% CG 50V	DD95101300
CP08		4822 124 90365	ELECT 220μF M 25V RA-2	OA22702520	CQ52		4822 126 11687	CER. 0.1μF +80%-20%	DK98104200
CP09		4822 126 11687	CER. 0.1μF +80%-20%	DK98104200	CQ53		4822 126 11687	CER. 0.1μF +80%-20%	DK98104200
					CQ54		4822 126 11687	CER. 0.1μF +80%-20%	DK98104200
					CQ56		4822 126 11687	CER. 0.1μF +80%-20%	DK98104200
					CQ57		4822 126 11687	CER. 0.1μF +80%-20%	DK98104200
					CQ59		4822 126 11687	CER. 0.1μF +80%-20%	DK98104200
					CQ60		4822 126 11687	CER. 0.1μF +80%-20%	DK98104200
					CQ61		4822 126 11687	CER. 0.1μF +80%-20%	DK98104200
					CQ63		5322 124 21731	ELECT 10μF M 50V	OA10605020
					CQ64		5322 124 21731	ELECT 10μF M 50V	OA10605020
					CQ65		4822 122 33777	CER. 47pF ±5% CG 50V	DD95470300
					CQ66		5322 124 21731	ELECT 10μF M 50V RA-2	OA10605020
					CQ67		4822 122 33777	CER. 47pF ±5% CG 50V	DD95470300
					CQ68		4822 122 33777	CER. 47pF ±5% CG 50V	DD95470300
					CQ69		5322 124 21731	ELECT 10μF M 50V RA-2	OA10605020
					CQ70		5322 124 21731	ELECT 10μF M 50V RA-2	OA10605020
					CQ71		4822 122 33777	CER. 47pF ±5% CG 50V	DD95470300
					CQ72		4822 122 33777	CER. 47pF ±5% CG 50V	DD95470300
					CQ73		5322 124 21731	ELECT 10μF M 50V RA-2	OA10605020
					CQ74		5322 124 21731	ELECT 10μF M 50V RA-2	OA10605020
					CQ75		4822 124 90354	ELECT 100μF M 16V RA-2	OA10701620

NOTE : "nsp" PART IS LISTED FOR REFERENCE ONLY, MARANTZ WILL NOT SUPPLY THESE PARTS.

POS. NO	VERS. COLOR	PART NO. (PCS)	DESCRIPTION	PART NO. (MJI)	POS. NO	VERS. COLOR	PART NO. (PCS)	DESCRIPTION	PART NO. (MJI)
CQ76		4822 124 90354	ELECT 100µF M 16V RA-2	OA10701620	C216		4822 124 90354	ELECT 100µF M 16V RA-2	OA10701620
CQ77					C217	C		CER. 0.027µF ±10% R 16V	DK96273200
}		4822 126 11687	CER. 0.1µF +80%-20%	DK98104200	C217	N	4822 126 14581	CER. 0.015µF ±10% X7R 16V W5R	DK96153200
CQ82									
CQ83		4822 124 90354	ELECT 100µF M 16V RA-2	OA10701620	C218		4822 126 14417	CER. 0.01µF ±10% 50V	DK96103300
CQ84		4822 126 11687	CER. 0.1µF +80%-20%	DK98104200	C219		5322 124 21731	ELECT 10µF M 50V RA-2	OA10605020
CQ85		4822 124 90354	ELECT 100µF M 16V RA-2	OA10701620	C220		4822 126 12339	CER. 2200pF ±10%	DK96222300
CQ86		4822 126 11687	CER. 0.1µF +80%-20%	DK98104200	C221	N	4822 126 14417	CER. 0.01µF ±10% 50V	DK96103300
CQ87		4822 122 33777	CER. 47pF ±5% CG 50V	DD95470300	C222		4822 126 12495	CER. 1500pF ±10%	DK96152300
CQ89		4822 122 33777	CER. 47pF ±5% CG 50V	DD95470300	C223		4822 126 14417	CER. 0.01µF ±10% 50V	DK96103300
CQ90		4822 122 33777	CER. 47pF ±5% CG 50V	DD95470300	C226		4822 126 14417	CER. 0.01µF ±10% 50V	DK96103300
CQ91		4822 126 11687	CER. 0.1µF +80%-20%	DK98104200	C227	C	4822 126 12339	CER. 2200pF ±10%	DK96222300
CQ92		4822 126 11687	CER. 0.1µF +80%-20%	DK98104200	C233		4822 124 90354	ELECT 100µF M 16V RA-2	OA10701620
CQ93		5322 124 21731	ELECT 10µF M 50V RA-2	OA10605020	C234		4822 124 80067	ELECT 4.7µF M 50V RA-2	OA47505020
CQ94		5322 124 21731	ELECT 10µF M 50V RA-2	OA10605020	C235		4822 126 14417	CER. 0.01µF ±10% 50V	DK96103300
					C236		4822 126 14417	CER. 0.01µF ±10% 50V	DK96103300
					C237		4822 126 14417	CER. 0.01µF ±10% 50V	DK96103300
CS01									
}		4822 122 10172	CER. 220pF ±10%	DK96221300	C301	C		FILM 0.047µF J N 50V	DF15473350
CS16					C301	N		FILM 0.033µF J N 50V	DF15333350
CS17		5322 124 21731	ELECT 10µF M 50V RA-2	OA10605020	C302	C		FILM 0.047µF J N 50V	DF15473350
CS18		5322 124 21731	ELECT 10µF M 50V RA-2	OA10605020	C302	N		FILM 0.033µF J N 50V	DF15333350
CS19		4822 122 31765	CER. 100pF ±5% CG 50V	DD95101300	C303		5322 124 21731	ELECT 10µF M 50V RA-2	OA10605020
CS20		4822 122 31765	CER. 100pF ±5% CG 50V	DD95101300	C304		5322 124 21731	ELECT 10µF M 50V RA-2	OA10605020
CS21		4822 122 33753	CER. 150pF ±5% CG 50V	DD95151300	C305		4822 124 80067	ELECT 4.7µF M 50V RA-2	OA47505020
CS22		4822 122 33753	CER. 150pF ±5% CG 50V	DD95151300	C306		4822 124 80067	ELECT 4.7µF M 50V RA-2	OA47505020
CS23		4822 124 90354	ELECT 100µF M 16V RA-2	OA10701620	C307		4822 126 12339	CER. 2200pF ±10%	DK96222300
CS24		4822 124 90354	ELECT 100µF M 16V RA-2	OA10701620	C308		4822 126 12339	CER. 2200pF ±10%	DK96222300
CS25					C309		5322 124 21731	ELECT 10µF M 50V	OA10605020
}		4822 126 11687	CER. 0.1µF +80%-20%	DK98104200	C310		5322 124 21731	ELECT 10µF M 50V	OA10605020
CS28					C311			FILM 0.0027µF J M 50V D=9	DF15272350
CS29		4822 124 90354	ELECT 100µF M 16V RA-2	OA10701620	C312			FILM 0.0027µF J M 50V D=9	DF15272350
CS30		4822 124 90354	ELECT 100µF M 16V RA-2	OA10701620	C315		4822 126 14417	CER. 0.01µF Z 50V	DK96103300
CS31		4822 126 11687	CER. 0.1µF +80%-20%	DK98104200	C316		4822 126 14417	CER. 0.01µF Z 50V	DK96103300
CS32		4822 126 11687	CER. 0.1µF +80%-20%	DK98104200	C317		4822 126 13909	CER. 680pF ±10%	DK96681300
CS33		4822 116 82487	CHIP RES. 0 Ω ±5% 1/16W	NN05000610	C318		4822 126 13909	CER. 680pF ±10%	DK96681300
CS34		4822 116 82487	CHIP RES. 0 Ω ±5% 1/16W	NN05000610	C319		4822 124 90354	ELECT 100µF M 16V RA-2	OA10701620
CS35		4822 116 82487	CHIP RES. 0 Ω ±5% 1/16W	NN05000610	C320		4822 124 90354	ELECT 100µF M 16V RA-2	OA10701620
CS36									
}		5322 124 21731	ELECT 10µF M 50V RA-2	OA10605020	C501		4822 122 33777	CER. 47pF ±5% CG 50V	DD95470300
CS41					C502		4822 122 33777	CER. 47pF ±5% CG 50V	DD95470300
CS43		4822 124 90362	ELECT 22µF M 50V RA-2	OA22605020	C503		4822 124 90353	ELECT 100µF M 10V RA-2	OA10701020
CS44		4822 124 90362	ELECT 22µF M 50V RA-2	OA22605020	C504		4822 126 14417	CER. 0.01µF ±10% 50V	DK96103300
					C505		4822 124 40763	ELECT 2.2µF M 50V RA-2	OA22505020
CW03		4822 122 33777	CER. 47pF ±5% CG 50V	DD95470300	C507		4822 126 14417	CER. 0.01µF ±10% 50V	DK96103300
CW04		4822 122 33777	CER. 47pF ±5% CG 50V	DD95470300	C508		4822 124 90354	ELECT 100µF M 16V RA-2	OA10701620
CW05		5322 124 21731	ELECT 10µF M 50V RA-2	OA10605020	C509		4822 126 14417	CER. 0.01µF ±10% 50V	DK96103300
CW06		5322 124 21731	ELECT 10µF M 50V RA-2	OA10605020	C510		4822 122 31765	CER. 100pF ±5% CG 50V	DD95101300
CW07		4822 122 31765	CER. 100pF ±5% CG 50V	DD95101300	C511		4822 126 14417	CER. 0.01µF ±10% 50V	DK96103300
CW08		4822 122 31765	CER. 100pF ±5% CG 50V	DD95101300					
CW09		5322 124 21731	ELECT 10µF M 50V RA-2	OA10605020	▲ C801			CER. 0.01µF Z E 500V	DK18103560
CW10		5322 124 21731	ELECT 10µF M 50V RA-2	OA10605020	▲ C802			CER. 0.01µF Z E 500V	DK18103560
CW11		4822 126 11687	CER. 0.1µF +80%-20%	DK98104200	C804		4822 126 14417	CER. 0.01µF Z 50V	DK96103300
CW12		4822 126 11687	CER. 0.1µF +80%-20%	DK98104200	C805		4822 126 14417	CER. 0.01µF Z 50V	DK96103300
					▲ C807		9965 000 09259	ELECT 6800µF 50V	EB68805090
C201		4822 126 14417	CER. 0.01µF ±10% 50V	DK96103300	▲ C808		9965 000 09259	ELECT 6800µF 50V	EB68805090
C202		4822 126 14417	CER. 0.01µF ±10% 50V	DK96103300	▲ C815		4822 124 21511	ELECT 2200µF M 25V RA-2	OA22802520
C203		4822 126 13396	CER. 0.047µF ±10% X7R 16V	DK96473200	▲ C816		4822 124 21511	ELECT 2200µF M 25V RA-2	OA22802520
C204		4822 126 13396	CER. 0.047µF ±10% X7R 16V	DK96473200	C817		4822 126 14417	CER. 0.01µF Z 50V	DK96103300
C205		4822 124 41543	ELECT 1µF M 50V RA-2	OA10505020	C818		4822 124 90371	ELECT 470µF M 10V RA-2	OA47701020
C206		5322 124 21731	ELECT 10µF M 50V RA-2	OA10605020	C819		5322 124 21731	ELECT 10µF M 50V RA-2	OA10605020
C207		4822 124 90354	ELECT 100µF M 16V	OA10701620	C820		4822 126 14417	CER. 0.01µF Z 50V	DK96103300
C208		4822 126 13396	CER. 0.047µF ±10% X7R 16V	DK96473200	C821		4822 126 14417	CER. 0.01µF Z 50V	DK96103300
C209		4822 124 41543	ELECT 1µF M 50V RA-2	OA10505020	C822		5322 124 21731	ELECT 10µF M 50V RA-2	OA10605020
C210		4822 126 14417	CER. 0.01µF ±10% 50V	DK96103300	C823		4822 126 14417	CER. 0.01µF Z 50V	DK96103300
C211		4822 124 40763	ELECT 2.2µF M 50V RA-2	OA22505020	C824		4822 124 90371	ELECT 470µF M 10V RA-2	OA47701020
C212		4822 124 41543	ELECT 1µF M 50V RA-2	OA10505020	C826		4822 126 14417	CER. 0.01µF Z 50V	DK96103300
C213		4822 124 22273	ELECT 0.47µF M 50V RA-2	OA47405020	C827		5322 124 21731	ELECT 10µF M 50V	OA10605020
C214		4822 124 41539	ELECT 47µF M 16V RA-2	OA47601620	C828		4822 126 14417	CER. 0.01µF Z 50V	DK96103300
C215		4822 126 13396	CER. 0.047µF ±10% X7R 16V	DK96473200					

NOTE : "nsp" PART IS LISTED FOR REFERENCE ONLY, MARANTZ WILL NOT SUPPLY THESE PARTS.

POS. NO	VERS. COLOR	PART NO. (PCS)	DESCRIPTION	PART NO. (MJI)	POS. NO	VERS. COLOR	PART NO. (PCS)	DESCRIPTION	PART NO. (MJI)
C829		5322 124 21731	ELECT 10 $\mu$ F M 50V RA-2	OA10605020	RQ04		4822 051 30472	CHIP 4.7k $\Omega$ $\pm$ 5% 1/16W	NN05472610
C830		4822 124 23068	ELECT 220 $\mu$ F M 63V RA-2	OA22706320	RQ05		4822 116 83211	CHIP 1.8k $\Omega$ $\pm$ 5% 1/16W	NN05182610
C831					RQ06		4822 117 12925	CHIP 47k $\Omega$ $\pm$ 5% 1/16W	NN05473610
∫		4822 126 14417	CER. 0.01 $\mu$ F $\pm$ 10% 50V	DK96103300	RQ07		4822 117 13632	CHIP 100k $\Omega$ $\pm$ 5% 1/16W	NN05104610
C834					RQ08		4822 051 30472	CHIP 4.7k $\Omega$ $\pm$ 5% 1/16W	NN05472610
C835		4822 124 23649	ELECT 470 $\mu$ F 25V M RA-2	OA47702520	RQ09		4822 117 11817	CHIP 1.2k $\Omega$ $\pm$ 5% 1/16W	NN05122610
C836		4822 124 23649	ELECT 470 $\mu$ F 25V M RA-2	OA47702520	RQ10		4822 051 30472	CHIP 4.7k $\Omega$ $\pm$ 5% 1/16W	NN05472610
C837		5322 126 11578	CER. 1000pF $\pm$ 10% B 50V	DK96102300	RQ11		4822 116 83211	CHIP 1.8k $\Omega$ $\pm$ 5% 1/16W	NN05182610
C838		4822 126 11568	CER. 470pF $\pm$ 10%	DK96471300	RQ12		4822 117 12925	CHIP 47k $\Omega$ $\pm$ 5% 1/16W	NN05473610
			<b>PV04-RESISTORS</b>		RQ13		4822 117 13632	CHIP 100k $\Omega$ $\pm$ 5% 1/16W	NN05104610
RA01		4822 051 30103	CHIP 10k $\Omega$ $\pm$ 5% 1/16W	NN05103610	RQ14		4822 051 30472	CHIP 4.7k $\Omega$ $\pm$ 5% 1/16W	NN05472610
RA02		4822 117 13632	CHIP 100k $\Omega$ $\pm$ 5% 1/16W	NN05104610	RQ15		4822 051 30101	CHIP 100 $\Omega$ $\pm$ 5% 1/16W	NN05101610
RA11		4822 100 11351	TRIMMING 10k $\Omega$ RH0638CJ4R	RA01030780	RQ16		4822 051 30101	CHIP 100 $\Omega$ $\pm$ 5% 1/16W	NN05101610
RG01					RQ17		4822 051 30561	CHIP 560 $\Omega$ $\pm$ 5% 1/16W	NN05561610
∫		4822 051 30102	CHIP 1k $\Omega$ $\pm$ 5% 1/16W	NN05102610	RQ18		4822 051 30221	CHIP 220 $\Omega$ $\pm$ 5% 1/16W	NN05221610
RG06					RQ19		4822 051 30393	CHIP 39k $\Omega$ $\pm$ 5% 1/16W	NN05393610
RG07					RQ20		4822 117 11817	CHIP 1.2k $\Omega$ $\pm$ 5% 1/16W	NN05122610
∫		4822 117 12925	CHIP 47k $\Omega$ $\pm$ 5% 1/16W	NN05473610	RQ21		4822 051 30561	CHIP 560 $\Omega$ $\pm$ 5% 1/16W	NN05561610
RG12					RQ22		4822 051 30221	CHIP 220 $\Omega$ $\pm$ 5% 1/16W	NN05221610
RG13		4822 051 30103	CHIP 10k $\Omega$ $\pm$ 5% 1/16W	NN05103610	RQ23		4822 051 30123	CHIP 12k $\Omega$ $\pm$ 5% 1/16W	NN05123610
RG14		4822 051 30103	CHIP 10k $\Omega$ $\pm$ 5% 1/16W	NN05103610	RQ24		4822 051 30154	CHIP 150k $\Omega$ $\pm$ 5% 1/16W	NN05154610
RG15		4822 051 30222	CHIP 2.2k $\Omega$ $\pm$ 5% 1/16W	NN05222610	RQ25		4822 051 30562	CHIP 5.6k $\Omega$ $\pm$ 5% 1/16W	NN05562610
RG16		4822 051 30222	CHIP 2.2k $\Omega$ $\pm$ 5% 1/16W	NN05222610	RQ26		4822 051 30222	CHIP 2.2k $\Omega$ $\pm$ 5% 1/16W	NN05222610
RG17		4822 051 30103	CHIP 10k $\Omega$ $\pm$ 5% 1/16W	NN05103610	RQ27		9965 000 09003	CHIP 560k $\Omega$ $\pm$ 5% 1/16W	NN05564610
RG18		4822 051 30103	CHIP 10k $\Omega$ $\pm$ 5% 1/16W	NN05103610	RQ28		4822 117 12891	CHIP 220k $\Omega$ $\pm$ 5% 1/16W	NN05224610
RG19		4822 051 30222	CHIP 2.2k $\Omega$ $\pm$ 5% 1/16W	NN05222610	RQ29		9965 000 09267	CHIP 82 $\Omega$ $\pm$ 5% 1/16W	NN05820610
RG20		4822 051 30222	CHIP 2.2k $\Omega$ $\pm$ 5% 1/16W	NN05222610	RQ30		4822 117 12968	CHIP 820 $\Omega$ $\pm$ 5% 1/16W	NN05821610
RG21		4822 051 30103	CHIP 10k $\Omega$ $\pm$ 5% 1/16W	NN05103610	RQ31		9965 000 09267	CHIP 82 $\Omega$ $\pm$ 5% 1/16W	NN05820610
RG22		4822 051 30103	CHIP 10k $\Omega$ $\pm$ 5% 1/16W	NN05103610	RQ32		4822 117 12968	CHIP 820 $\Omega$ $\pm$ 5% 1/16W	NN05821610
RG23		4822 051 30222	CHIP 2.2k $\Omega$ $\pm$ 5% 1/16W	NN05222610	RQ33		4822 051 30331	CHIP 330 $\Omega$ $\pm$ 5% 1/16W	NN05331610
RG24		4822 051 30332	CHIP 3.3k $\Omega$ $\pm$ 5% 1/16W	NN05332610	RQ34		4822 051 30121	CHIP 120 $\Omega$ $\pm$ 5% 1/16W	NN05121610
RG25					RQ35		4822 051 30331	CHIP 330 $\Omega$ $\pm$ 5% 1/16W	NN05331610
∫		4822 051 30102	CHIP 1k $\Omega$ $\pm$ 5% 1/16W	NN05102610	RQ36		4822 051 30121	CHIP 120 $\Omega$ $\pm$ 5% 1/16W	NN05121610
RG30					RQ37		4822 051 30331	CHIP 330 $\Omega$ $\pm$ 5% 1/16W	NN05331610
RG31					RQ38		4822 051 30121	CHIP 120 $\Omega$ J 1/16W	NN05121610
∫		4822 117 13632	CHIP 100k $\Omega$ $\pm$ 5% 1/16W	NN05104610	RQ39		4822 051 30331	CHIP 330 $\Omega$ J 1/16W	NN05331610
RG36					RQ40		4822 051 30121	CHIP 120 $\Omega$ J 1/16W	NN05121610
RG37					RQ41		4822 051 30102	CHIP 1k $\Omega$ J 1/16W	NN05102610
∫		4822 051 30101	CHIP 100 $\Omega$ $\pm$ 5% 1/16W	NN05101610	RQ42		4822 051 30102	CHIP 1k $\Omega$ J 1/16W	NN05102610
RG41					RQ43		4822 051 30475	CHIP 4.7M $\Omega$ $\pm$ 5% 1/16W	NN05475610
RG42					RQ44		4822 051 30103	CHIP 10k $\Omega$ J 1/16W	NN05103610
∫		4822 051 30223	CHIP 22k $\Omega$ $\pm$ 5% 1/16W	NN05223610	RQ45		4822 117 12889	CHIP 270k $\Omega$ J 1/16W	NN05274610
RG45					RQ46		4822 051 30392	CHIP 3.9k $\Omega$ J 1/16W	NN05392610
RG50					RQ47		4822 117 13632	CHIP 100k $\Omega$ J 1/16W	NN05104610
∫		4822 051 30472	CHIP 4.7k $\Omega$ $\pm$ 5% 1/16W	NN05472610	RQ48		4822 117 12889	CHIP 270k $\Omega$ J 1/16W	NN05274610
RG53					RQ49		4822 051 30392	CHIP 3.9k $\Omega$ $\pm$ 5% 1/16W	NN05392610
RG55		4822 051 30472	CHIP 4.7k $\Omega$ $\pm$ 5% 1/16W	NN05472610	RQ50		4822 051 30332	CHIP 3.3k $\Omega$ J 1/16W	NN05332610
RG56		4822 051 30684	CHIP 680k $\Omega$ $\pm$ 5% 1/16W	NN05684610	RQ51		4822 051 30561	CHIP 560 $\Omega$ J 1/16W	NN05561610
RG57		4822 051 30684	CHIP 680k $\Omega$ $\pm$ 5% 1/16W	NN05684610	RQ52		4822 051 30333	CHIP 33k $\Omega$ J 1/16W	NN05333610
RG58		4822 051 30684	CHIP 680k $\Omega$ $\pm$ 5% 1/16W	NN05684610	RQ53		4822 051 30181	CHIP 180 $\Omega$ J 1/16W	NN05181610
RG59		4822 051 30472	CHIP 4.7k $\Omega$ $\pm$ 5% 1/16W	NN05472610	RQ55		4822 051 30561	CHIP 560 $\Omega$ $\pm$ 5% 1/16W	NN05561610
RG65		4822 116 82487	CHIP 0 $\Omega$ $\pm$ 5% 1/16W	NN05000610	RQ56		4822 051 30152	CHIP 1.5k $\Omega$ $\pm$ 5% 1/16W	NN05152610
RM01		4822 051 30221	CHIP 220 $\Omega$ $\pm$ 5% 1/16W	NN05221610	RQ57		4822 051 30152	CHIP 1.5k $\Omega$ $\pm$ 5% 1/16W	NN05152610
RM02		4822 051 30272	CHIP 2.7k $\Omega$ $\pm$ 5% 1/16W	NN05272610	RQ58		4822 051 30272	CHIP 2.7k $\Omega$ $\pm$ 5% 1/16W	NN05272610
RM03		4822 111 90967	FUSE 4.7 $\Omega$ J 1/4W	NF05047140	RQ60				
RM04		4822 051 30391	CHIP 390 $\Omega$ $\pm$ 5% 1/16W	NN05391610	∫		4822 051 30101	CHIP 100 $\Omega$ J 1/16W	NN05101610
RP01		4822 051 30102	CHIP 1k $\Omega$ $\pm$ 5% 1/16W	NN05102610	RQ63				
RP02		4822 117 12925	CHIP 47k $\Omega$ $\pm$ 5% 1/16W	NN05473610	RQ65				
RP03		4822 051 30102	CHIP 1k $\Omega$ $\pm$ 5% 1/16W	NN05102610	∫		4822 051 30109	CHIP 10 $\Omega$ $\pm$ 5% 1/16W	NN05100610
RP04		4822 116 82487	CHIP 0 $\Omega$ $\pm$ 5% 1/16W	NN05000610	RQ68				
RP05		4822 116 82487	CHIP 0 $\Omega$ $\pm$ 5% 1/16W	NN05000610	RQ69		4822 117 12925	CHIP 47k $\Omega$ $\pm$ 5% 1/16W	NN05473610
RQ01		4822 051 30103	CHIP 10k $\Omega$ $\pm$ 5% 1/16W	NN05103610	RQ70		4822 051 30103	CHIP 10k $\Omega$ $\pm$ 5% 1/16W	NN05103610
RQ02		4822 051 30103	CHIP 10k $\Omega$ $\pm$ 5% 1/16W	NN05103610	RQ71		4822 051 30103	CHIP 10k $\Omega$ $\pm$ 5% 1/16W	NN05103610
RQ03		4822 117 11817	CHIP 1.2k $\Omega$ $\pm$ 5% 1/16W	NN05122610	RQ72		4822 117 12925	CHIP 47k $\Omega$ $\pm$ 5% 1/16W	NN05473610
					RQ73		4822 117 12925	CHIP 47k $\Omega$ $\pm$ 5% 1/16W	NN05473610
					RQ74		4822 117 12925	CHIP 47k $\Omega$ $\pm$ 5% 1/16W	NN05473610

NOTE : "nsp" PART IS LISTED FOR REFERENCE ONLY, MARANTZ WILL NOT SUPPLY THESE PARTS.

POS. NO	VERS. COLOR	PART NO. (PCS)	DESCRIPTION	PART NO. (MJI)
RQ75		4822 051 30103	CHIP 10k Ω ±5% 1/16W	NN05103610
{				
RQ78				
RQ79		4822 117 12925	CHIP 47k Ω ±5% 1/16W	NN05473610
{				
RQ82				
RQ83		4822 051 30103	CHIP 10k Ω ±5% 1/16W	NN05103610
{				
RQ86				
RQ87		4822 117 12925	CHIP 47k Ω ±5% 1/16W	NN05473610
RQ88		4822 117 12925	CHIP 47k Ω ±5% 1/16W	NN05473610
RQ89		4822 051 30103	CHIP 10k Ω ±5% 1/16W	NN05103610
RQ90		4822 051 30103	CHIP 10k Ω ±5% 1/16W	NN05103610
RQ91		4822 116 82487	CHIP 0 Ω ±5% 1/16W	NN05000610
RQ92		4822 116 82487	CHIP 0 Ω ±5% 1/16W	NN05000610
RQ93		4822 117 12925	CHIP 47k Ω ±5% 1/16W	NN05473610
RQ94		4822 051 30103	CHIP 10k Ω ±5% 1/16W	NN05103610
RQ95		4822 051 30103	CHIP 10k Ω ±5% 1/16W	NN05103610
RQ96		4822 117 12925	CHIP 47k Ω ±5% 1/16W	NN05473610
RQ97		4822 117 13632	CHIP 100k Ω ±5% 1/16W	NN05104610
RQ98		4822 051 30103	CHIP 10k Ω ±5% 1/16W	NN05103610
RQ99		4822 051 30103	CHIP 10k Ω ±5% 1/16W	NN05103610
RS01		4822 051 30102	CHIP 1k Ω ±5% 1/16W	NN05102610
{				
RS16				
RS17		4822 117 12891	CHIP 220k Ω ±5% 1/16W	NN05224610
{				
RS32				
RS33		4822 117 13632	CHIP 100k Ω ±5% 1/16W	NN05104610
{				
RS36				
RS37		4822 117 12925	CHIP 47k Ω ±5% 1/16W	NN05473610
RS38		4822 117 12925	CHIP 47k Ω ±5% 1/16W	NN05473610
RS97		4822 116 82487	CHIP 0 Ω ±5% 1/16W	NN05000610
RS98		4822 116 82487	CHIP 0 Ω ±5% 1/16W	NN05000610
RS99		4822 116 82487	CHIP 0 Ω ±5% 1/16W	NN05000610
RW03		4822 051 30393	CHIP 39k Ω ±5% 1/16W	NN05393610
RW04		4822 051 30393	CHIP 39k Ω ±5% 1/16W	NN05393610
RW05		4822 051 30222	CHIP 2.2k Ω ±5% 1/16W	NN05222610
RW06		4822 051 30222	CHIP 2.2k Ω ±5% 1/16W	NN05222610
RW07		4822 051 30561	CHIP 560 Ω ±5% 1/16W	NN05561610
RW08		4822 051 30561	CHIP 560 Ω ±5% 1/16W	NN05561610
RW09		4822 051 30472	CHIP 4.7k Ω ±5% 1/16W	NN05472610
RW10		4822 051 30472	CHIP 4.7k Ω ±5% 1/16W	NN05472610
RW11		4822 051 30222	CHIP 2.2k Ω ±5% 1/16W	NN05222610
R201		4822 116 82487	CHIP 0 Ω ±5% 1/16W	NN05000610
R202		4822 051 30391	CHIP 390 Ω ±5% 1/16W	NN05391610
R203		4822 051 30152	CHIP 1.5k Ω ±5% 1/16W	NN05152610
R204		4822 051 30471	CHIP 470 Ω ±5% 1/16W	NN05471610
R205		4822 051 30331	CHIP 330 Ω ±5% 1/16W	NN05331610
R206		4822 051 30682	CHIP 6.8k Ω ±5% 1/16W	NN05682610
R207			100 Ω ±5% 1/4W	GG05101140
R208		4822 051 30272	CHIP 2.7k Ω ±5% 1/16W	NN05272610
R209		4822 051 30472	CHIP 4.7k Ω ±5% 1/16W	NN05472610
R210		4822 051 30332	CHIP 3.3k Ω ±5% 1/16W	NN05332610
R211	C	4822 100 11351	TRIMMING 10k Ω RH-638CS3R	RA01030780
R211	N	4822 100 11352	TRIMMING 22k Ω RH0638CJ4R	RA02230780
R212		4822 051 30472	CHIP 4.7k Ω ±5% 1/16W	NN05472610
R213		4822 051 30479	CHIP 47 Ω ±5% 1/16W	NN05470610
R214		4822 117 12925	CHIP 47k Ω ±5% 1/16W	NN05473610
R215	C	4822 051 30273	CHIP 27k Ω ±5% 1/16W	NN05273610
R215	N	4822 051 30683	CHIP 68k Ω ±5% 1/16W	NN05683610
R216		4822 051 30273	CHIP 27k Ω ±5% 1/16W	NN05273610
R218		4822 051 30472	CHIP 4.7k Ω ±5% 1/16W	NN05472610
R219	N	4822 051 30103	CHIP 10k Ω ±5% 1/16W	NN05103610
R220		4822 051 30101	CHIP 100 Ω ±5% 1/16W	NN05101610

POS. NO	VERS. COLOR	PART NO. (PCS)	DESCRIPTION	PART NO. (MJI)
R221	N	4822 117 13632	CHIP 100k Ω ±5% 1/16W	NN05104610
R222	N	4822 117 13632	CHIP 100k Ω ±5% 1/16W	NN05104610
R301		4822 051 30272	CHIP 2.7k Ω ±5% 1/16W	NN05272610
R302		4822 051 30272	CHIP 2.7k Ω ±5% 1/16W	NN05272610
R303		4822 051 30102	CHIP 1k Ω J 1/16W	NN05102610
R304		4822 051 30102	CHIP 1k Ω J 1/16W	NN05102610
R305		4822 051 30103	CHIP 10k Ω J 1/16W	NN05103610
R306		4822 051 30103	CHIP 10k Ω J 1/16W	NN05103610
R307		4822 117 12925	CHIP 47k Ω J 1/16W	NN05473610
R308		4822 117 12925	CHIP 47k Ω J 1/16W	NN05473610
R309		4822 051 30221	CHIP 220 Ω J 1/16W	NN05221610
R310		4822 051 30221	CHIP 220 Ω J 1/16W	NN05221610
R311		4822 051 30103	CHIP 10k Ω J 1/16W	NN05103610
R312		4822 051 30103	CHIP 10k Ω J 1/16W	NN05103610
R313		4822 117 12925	CHIP 47k Ω J 1/16W	NN05473610
R314		4822 117 12925	CHIP 47k Ω J 1/16W	NN05473610
R502		4822 051 30222	CHIP 2.2k Ω ±5% 1/16W	NN05222610
R504		4822 051 30472	CHIP 4.7k Ω ±5% 1/16W	NN05472610
R505		4822 051 30102	CHIP 1k Ω ±5% 1/16W	NN05102610
R506		4822 051 30102	CHIP 1k Ω ±5% 1/16W	NN05102610
R507		4822 051 30683	CHIP 68k Ω ±5% 1/16W	NN05683610
R508		4822 117 12925	CHIP 47k Ω ±5% 1/16W	NN05473610
R509		4822 051 30223	CHIP 22k Ω ±5% 1/16W	NN05223610
R510		4822 051 30472	CHIP 4.7k Ω ±5% 1/16W	NN05472610
R511		4822 117 12902	CHIP 8.2k Ω ±5% 1/16W	NN05822610
R513		4822 051 30103	CHIP 10k Ω ±5% 1/16W	NN05103610
R515		4822 051 30103	CHIP 10k Ω ±5% 1/16W	NN05103610
▲ R805		4822 052 10478	4.7 Ω ±5% 1/6W	GG05047160
▲ R806		4822 052 10478	4.7 Ω ±5% 1/6W	GG05047160
▲ R831		4822 052 10228	2.2 Ω ±5% 1/6W	GG05022160
R832		4822 051 30479	CHIP 47 Ω ±5% 1/16W	NN05470610
R833		4822 051 30102	CHIP 1k Ω ±5% 1/16W	NN05102610
			<b>PV04-SEMICONDUCTORS</b>	
DA06		4822 130 81324	CHIP DIODE 1SS302	HZ20018050
DG01		4822 130 81324	CHIP DIODE 1SS302	HZ20018050
DP01		4822 130 83715	CHIP DIODE 1SS301 DAN202U	HZ21005000
DP02		4822 130 83715	CHIP DIODE 1SS301 DAN202U	HZ21005000
▲ DP03		4822 130 82019	CHIP DIODE SFPL-52 200V/0.9A	HZ20002080
DP04		4822 130 83715	CHIP DIODE 1SS301 DAN202U	HZ21005000
DP06				
{				
DP10		4822 130 83715	CHIP DIODE 1SS301 DAN202U	HZ21005000
D201		4822 130 83715	CHIP DIODE 1SS301 DAN202U	HZ21005000
D202		9965 000 03403	CHIP ZENER 02CZ9.1-X	HZ30031050
D504		4822 130 83715	CHIP DIODE 1SS301 DAN202U	HZ21005000
D505		4822 130 83715	CHIP DIODE 1SS301 DAN202U	HZ21005000
▲ D801		4822 130 30984	DIODE S5VB20 FORMING 6A 200V	HE20009290
▲ D804		4822 130 33057	DIODE S2VB-20	HE20011290
D830		9965 000 09260	CHIP DIODE 60V 1A RW	HZ21304210
QG01		9965 000 09272	IC M62446FP 6CH ELEVOL TONECON	HC10258200
QG02		4822 209 17155	IC NJM2068M	HC10102090
QG03		4822 209 17155	IC NJM2068M	HC10102090
QG04		4822 209 17155	IC NJM2068M	HC10102090
QG05				
{				
QG10		4822 130 63601	CHIP TRS. 2SC4213	HX342132A0
QM01		4822 209 30193	IC LB1641 MOTOR DRIVER	HC10279030
QP01				
{				
QP04		4822 130 61553	SEMICON.COMP DTC124EU RN1303	BA21303000
QP05		4822 130 42593	SEMICON.COMP DTA124EU RN2303	BA12303000

NOTE : "nsp" PART IS LISTED FOR REFERENCE ONLY, MARANTZ WILL NOT SUPPLY THESE PARTS.

POS. NO	VERS. COLOR	PART NO. (PCS)	DESCRIPTION	PART NO. (MJI)	POS. NO	VERS. COLOR	PART NO. (PCS)	DESCRIPTION	PART NO. (MJI)
QP06		4822 130 61553	SEMICON.COMP DTC124EU RN1303	BA21303000	LA01		9965 000 09269	ANT COIL 7RBW-3702 AM RF BLOCK	LA70635010
QP07		4822 130 42593	SEMICON.COMP DTA124EU RN2303	BA12303000	LA05		4822 157 53589	CHOKE COIL TL-8 393J	LC23960710
QP08		4822 130 61553	SEMICON.COMP DTC124EU RN1303	BA21303000	LA06			I.F.T. COIL AM IFT K7-H5 FOR SFP450D	LI70033510
QP09		4822 130 42593	SEMICON.COMP DTA124EU RN2303	BA12303000	LP01			CHIP INDUCTANCE	LU13104010
QP10		4822 130 61553	SEMICON.COMP DTC124EU RN1303	BA21303000	LP06		4822 157 11135	NLC453232T-101K	
QQ01		4822 209 17155	IC NJM2068M	HC10102090	L201			I.F.T. COIL FM DET M292BEAS-5968Z	LI70376010
QQ02		4822 209 17155	IC NJM2068M	HC10102090	L301		9965 000 08329	M.P.X. COIL 19 38KHz	LS70425010
QQ03		9965 000 09266	IC SSM2005	HC10069840	L302		9965 000 08329	M.P.X. COIL 19 38KHz	LS70425010
QQ04			CS-5.1DECORDER SSOP		L830		9965 000 09262	CHIP INDUCTANCE CDRH74 220μH	LU80224010
Q008		4822 209 17155	IC NJM2068M	HC10102090	L831		9965 000 01917	CHIP INDUCTANCE CDRH5D28 10μH ±30%	LU83103030
QS01		4822 209 32552	IC LC78211	HC10308030	L832		9965 000 01917	CHIP INDUCTANCE CDRH5D28 10μH ±30%	LU83103030
QS02		4822 209 83631	IC NJM4558MD	HC10035090					
QS03		4822 209 32554	IC LC78213	HC10310030					
QW01		4822 209 31378	IC NJM4556AM	HC10045090	X501		4822 242 72333	CRYSTAL AD0618CTB 7.2MHz	JX07001260
QW02		4822 130 63601	CHIP TRS. 2SC4213	HX342132A0				<b>P704-SODA-1 (FRONT) CIRCUIT BOARD</b>	
QW03		4822 130 63601	CHIP TRS. 2SC4213	HX342132A0				<b>P704-CAPACITORS</b>	
Q201		9965 000 01369	IC LA1837 AM/FM IC SMT	HC10409030	CF01		9965 000 09238	TANTAL CHIP 100μF 25V	EY10702560
Q202		9965 000 09270	CHIP TRS. 2SC2714Y	HX327141C0	CF02		9965 000 09238	TANTAL CHIP 100μF 25V	EY10702560
Q203		4822 130 61903	SEMICON.COMP DTA114EU	BA10026210	CF03				
Q204		4822 130 61906	SEMICON.COMP DTC114EU	BA20035210					
Q206	N	4822 130 61541	CHIP TRS. 2SC4116	HX341162B0			9965 000 08352	CER. 0.1μF 50V F	DK98104300
Q301		4822 209 83631	IC NJM4558MD	HC10035090	CF06				
Q501		9965 000 09271	IC LC72130M PLL SYNTHESIZR	HC10407030	CF07		9965 000 09239	CER. 680pF ±5% CH 25V	DD95681200
▲ Q801		4822 209 73954	IC NJM7912FA -12V 1A	HC39912090	CF08		9965 000 09239	CER. 680pF ±5% CH 25V	DD95681200
▲ Q802		4822 209 70084	IC NJM7812FA	HC38912090	CF09		4822 126 13956	CER. 68pF ±10%	DD95680300
▲ Q803		4822 209 73674	IC NJM7806FA	HC38906090	CF10		4822 126 13956	CER. 68pF ±10%	DD95680300
▲ Q804		9965 000 09263	IC NJM7906FA	HC39906090	CF11			FILM 0.68μF J 50V	DF15684350
▲ Q805		4822 209 70084	IC NJM7812FA	HC38912090	CF12			FILM 0.68μF J 50V	DF15684350
▲ Q806		4822 209 73954	IC NJM7912FA	HC39912090	CF13				
▲ Q830		9965 000 09264	IC LM2575HVS-12	HC10053360			9965 000 09240	CHIP ELECT 100μF 25V RV3	EL10702510
▲ A101		9965 000 03387	<b>PV04-MISCELLANEOUS</b> VHF TUNER FM FRONT END EF415-G23	AV01202270	CF16				
FA01			CER. FILTER SFZ450JL3	FF10045410	CF17		9965 000 09241	CER. 0.47μF F 16V	DK98474200
▲ FP01					CF18		9965 000 09241	CER. 0.47μF F 16V	DK98474200
FP06		9965 000 09253	FUSE T3.15A 250V	FS20315200	CF19		9965 000 09240	CHIP ELECT 100μF 25V RV3	EL10702510
F201	C		CER. FILTER SFF10.7MA8-A	FF11070610	CF20		9965 000 09240	CHIP ELECT 100μF 25V RV3	EL10702510
F201	N		CER. FILTER SFE10.7MS3-A	FF11070620	CF21		9965 000 09241	CER. 0.47μF F 16V	DK98474200
F202			CER. FILTER SFE10.7MS3-A	FF11070620	CF22		9965 000 09241	CER. 0.47μF F 16V	DK98474200
▲ F803		9965 000 09261	FUSE T5.0A/250V TR5 NO.19372 (TP)	FS20500200	CF23		9965 000 09240	CHIP ELECT 100μF 25V RV3	EL10702510
▲ F804		9965 000 09261	FUSE T5.0A/250V TR5 NO.19372 (TP)	FS20500200	CF24		9965 000 09240	CHIP ELECT 100μF 25V RV3	EL10702510
JG01		9965 000 09265	TERMINAL YKC21-3232 RCA PIN JACK BLK	YT02060500	CF25		9965 000 09241	CER. 0.47μF F 16V	DK98474200
JP01			JACK 12JQ-BT 12P	YJ06008820	CF26		9965 000 09241	CER. 0.47μF F 16V	DK98474200
JP02			JACK 12JQ-BT 12P	YJ06008820	CF27		9965 000 09240	CHIP ELECT 100μF 25V RV3	EL10702510
JP03			JACK 12JQ-BT 12P	YJ06008820	CF28		9965 000 09240	CHIP ELECT 100μF 25V RV3	EL10702510
JS01		9965 000 09265	TERMINAL YKC21-3232	YT02060500	CF29		9965 000 09241	CER. 0.47μF F 16V	DK98474200
JS02		4822 267 31823	TERMINAL RCA PIN JACK RA2L4P YKC21-3049	YT02040940	CF30		9965 000 09241	CER. 0.47μF F 16V	DK98474200
JS03		4822 265 10748	TERMINAL 14X14 RA 2L6P W/R	YT02060460	CF31		9965 000 09242	ELECT 1000μF 50V RE-3	EA10805070
J101		4822 290 81632	NI FLM-GND TERMINAL YKD31-0215A FM/AM ANT PAL	YT03030020	CF32		9965 000 09242	ELECT 1000μF 50V RE-3	EA10805070
					CF33		9965 000 08352	CER. 0.1μF 50V F	DK98104300
					CF34		9965 000 08352	CER. 0.1μF 50V F	DK98104300
					CF35		9965 000 09242	ELECT 1000μF 50V RE-3	EA10805070
					CF36		9965 000 09242	ELECT 1000μF 50V RE-3	EA10805070
					CF37			CER. 0.22μF	DK48224300
					CF38			CER. 0.22μF	DK48224300
					CF39		4822 126 14417	CER. 0.01μF ±10% 50V	DK96103300
					CF40		4822 126 14417	CER. 0.01μF ±10% 50V	DK96103300
					CF41			CER. 0.47μF 50V	DK48474200
					CF42			CER. 0.47μF 50V	DK48474200
					CF43		9965 000 09239	CER. 680pF ±5% CH 25V	DD95681200
					CF44		9965 000 09239	CER. 680pF ±5% CH 25V	DD95681200

NOTE : "nsp" PART IS LISTED FOR REFERENCE ONLY, MARANTZ WILL NOT SUPPLY THESE PARTS.

POS. NO	VERS. COLOR	PART NO. (PCS)	DESCRIPTION	PART NO. (MJI)
CN01		9965 000 08352	CER. 0.1μF 50V F	DK98104300
CN02		9965 000 08352	CER. 0.1μF 50V F	DK98104300
CN03		4822 126 14528	CER. 5600pF ±10% B 50V	DK96562300
CN04		4822 126 14528	CER. 5600pF ±10% B 50V	DK96562300
CN05		9965 000 09240	CHIP ELECT 100μF 25V RV3	EL10702510
CN06		9965 000 09240	CHIP ELECT 100μF 25V RV3	EL10702510
CN07		4822 126 14417	CER. 0.01μF ±10% 50V	DK96103300
CN08		9965 000 08949	TANTALCHIP 22μF 35V	EY22603520
CN09		4822 124 11229	TANTALCHIP 4.7μF 35V	EY47503520
CN10		9965 000 08352	CER. 0.1μF 50V F	DK98104300
CN11		9965 000 08352	CER. 0.1μF 50V F	DK98104300
CN12		9965 000 08352	CER. 0.1μF 50V F	DK98104300
<b>P704-RESISTORS</b>				
RF01		4822 051 30222	CHIP 2.2k Ω ±5% 1/16W	NN05222610
RF02		4822 051 30222	CHIP 2.2k Ω ±5% 1/16W	NN05222610
RF03				
RF06		4822 051 30103	CHIP 10k Ω ±5% 1/16W	NN05103610
RF07		4822 051 30332	CHIP 3.3k Ω ±5% 1/16W	NN05332610
RF08		4822 051 30332	CHIP 3.3k Ω ±5% 1/16W	NN05332610
RF09				
RF12		4822 051 30472	CHIP 4.7k Ω ±5% 1/16W	NN05472610
RF13		4822 051 30121	CHIP 120 Ω ±5% 1/16W	NN05121610
RF14		4822 051 30121	CHIP 120 Ω ±5% 1/16W	NN05121610
RF15				
RF18		4822 117 11449	CHIP 2.2k Ω ±5% 1/10W	NI05222110
RF19		4822 051 30102	CHIP 1k Ω ±5% 1/16W	NN05102610
RF20		4822 051 30102	CHIP 1k Ω ±5% 1/16W	NN05102610
RF21				
RF24		4822 051 30109	CHIP 10 Ω ±5% 1/16W	NN05100610
RF25				
RF28		4822 051 30105	CHIP 1M Ω ±5% 1/16W	NN05105610
RF29		4822 051 30184	CHIP 180k Ω ±5% 1/16W	NN05184610
RF30		4822 051 30184	CHIP 180k Ω ±5% 1/16W	NN05184610
RF31		4822 117 13632	CHIP 100k Ω ±5% 1/16W	NN05104610
RF32		4822 117 13632	CHIP 100k Ω ±5% 1/16W	NN05104610
RF33		4822 051 30563	CHIP 56k Ω ±5% 1/16W	NN05563610
RF34		4822 051 30563	CHIP 56k Ω ±5% 1/16W	NN05563610
RF35			CHIP 22 Ω ±5% 1/8W	RI05220180
RF36			CHIP 22 Ω ±5% 1/8W	RI05220180
RF37				
RF46		4822 116 82124	FUSIBLE CHIP 10 Ω	NH85100110
RF47		4822 051 30102	CHIP 1k Ω ±5% 1/16W	NN05102610
RF48		4822 116 82487	CHIP 0 Ω ±5% 1/16W	NN05000610
RF49		4822 116 82487	CHIP 0 Ω ±5% 1/16W	NN05000610
RF51		4822 051 30103	CHIP 10k Ω ±5% 1/16W	NN05103610
RF52		4822 051 30103	CHIP 10k Ω ±5% 1/16W	NN05103610
RF53		4822 051 30681	CHIP 680 Ω ±5% 1/16W	NN05681610
RF54		4822 051 30681	CHIP 680 Ω ±5% 1/16W	NN05681610
RF55		4822 117 13632	CHIP 100k Ω ±5% 1/16W	NN05104610
RF56		4822 117 13632	CHIP 100k Ω ±5% 1/16W	NN05104610
RK01		4822 117 10833	CHIP 10k Ω ±5% 1/10W	NI05103110
▲ RK02		4822 051 20338	FUSIBLE 3.3 Ω ±5% 1/10W	NH85033110
RK03		4822 117 10833	CHIP 10k Ω ±5% 1/10W	NI05103110
RK04		4822 117 10833	CHIP 10k Ω ±5% 1/10W	NI05103110
▲ RK05		4822 051 20338	FUSIBLE 3.3 Ω ±5% 1/10W	NH85033110
RK06		4822 117 10833	CHIP 10k Ω ±5% 1/10W	NI05103110
RN01		9965 000 09256	0.1Ω ±1% 1W	RH01102010
RN02		9965 000 09256	0.1Ω ±1% 1W	RH01102010
RN03		4822 051 30102	CHIP 1k Ω ±5% 1/16W	NN05102610
RN04		4822 051 30102	CHIP 1k Ω ±5% 1/16W	NN05102610

POS. NO	VERS. COLOR	PART NO. (PCS)	DESCRIPTION	PART NO. (MJI)
RN05		4822 051 30152	CHIP 1.5k Ω ±5% 1/16W	NN05152610
RN06		4822 051 30152	CHIP 1.5k Ω ±5% 1/16W	NN05152610
RN07			CHIP 3.3 Ω ±5% 1/8W	RI05033180
RN08			CHIP 3.3 Ω ±5% 1/8W	RI05033180
RN11		4822 051 30103	CHIP 10k Ω ±5% 1/16W	NN05103610
RN12		4822 117 12925	CHIP 47k Ω ±5% 1/16W	NN05473610
RN13		4822 051 30103	CHIP 10k Ω ±5% 1/16W	NN05103610
RN14		4822 051 30102	CHIP 1k Ω ±5% 1/16W	NN05102610
RN15		4822 051 30472	CHIP 4.7k Ω ±5% 1/16W	NN05472610
RN16		4822 051 30103	CHIP 10k Ω ±5% 1/16W	NN05103610
RN17		4822 117 12925	CHIP 47k Ω ±5% 1/16W	NN05473610
RN18				
RF22		4822 051 30103	CHIP 10k Ω ±5% 1/16W	NN05103610
RN23				
RN24		4822 117 12925	CHIP 47k Ω ±5% 1/16W	NN05473610
RN25		4822 051 30472	CHIP 4.7k Ω ±5% 1/16W	NN05472610
RN26		4822 051 30103	CHIP 10k Ω ±5% 1/16W	NN05103610
RN27		4822 051 30103	CHIP 10k Ω ±5% 1/16W	NN05103610
RN28		4822 051 30223	CHIP 22k Ω ±5% 1/16W	NN05223610
RN29		4822 051 30103	CHIP 10k Ω ±5% 1/16W	NN05103610
RN30		4822 051 30472	CHIP 4.7k Ω ±5% 1/16W	NN05472610
		4822 051 30222	CHIP 2.2k Ω ±5% 1/16W	NN05222610
<b>P704-SEMICONDUCTORS</b>				
DF01		4822 130 11516	CHIP DIODE 1SS368	HZ20068050
DF02		4822 130 11516	CHIP DIODE 1SS368	HZ20068050
DF03				
DF10		9965 000 09243	CHIP DIODE 015AZ10 ZENER 10V	HZ30036050
DF11		9965 000 09244	CHIP DIODE 30BQ100 100V 3A	HZ20001990
DF12		9965 000 09244	CHIP DIODE 30BQ100 100V 3A	HZ20001990
DF13				
DF16				
DF17				
DF20		4822 130 11514	CHIP DIODE 02CZ4.7Z	HZ30017050
DK01		9965 000 09245	CHIP DIODE CRG01	HZ20067050
DK02		9965 000 09243	CHIP DIODE 015AZ10 ZENER 10V	HZ30036050
DK03		9965 000 09245	CHIP DIODE CRG01	HZ20067050
DK04		9965 000 09243	CHIP DIODE 015AZ10 ZENER 10V	HZ30036050
DN01		4822 130 11516	CHIP DIODE 1SS368	HZ20068050
DN03		4822 130 11516	CHIP DIODE 1SS368	HZ20068050
DN04		4822 130 11516	CHIP DIODE 1SS368	HZ20068050
DN05		4822 130 11516	CHIP DIODE 1SS368	HZ20068050
QF01		9965 000 09249	IC LM311 COMPARATOR SOP8	HC10098000
QF02		9965 000 09249	IC LM311 COMPARATOR SOP8	HC10098000
QF03		9965 000 09250	CHIP TRS. 2SC4539	HX34539000
QF04		9965 000 09250	CHIP TRS. 2SC4539	HX34539000
QF05		9965 000 09251	CHIP TRS. 2SA1734	HX11734000
QF06		9965 000 09251	CHIP TRS. 2SA1734	HX11734000
QF07		9965 000 09252	F.E.T. IRF19540G 100V 13A	HF60005000
QF08		9965 000 09252	F.E.T. IRF19540G 100V 13A	HF60005000
QF09		5322 130 63791	F.E.T. IRF1540N 100V 13A	HF70010000
QF10		5322 130 63791	F.E.T. IRF1540N 100V 13A	HF70010000
QF11		4822 209 17155	IC NJM2068M	HC10102090
QF13		4822 130 63601	CHIP TRS. 2SC4213	HX342132A0
QF14		4822 130 63601	CHIP TRS. 2SC4213	HX342132A0
QF15		4822 130 61553	SEMICON.COMP DTC124EU RN1303	BA21303000
QF16		4822 130 42593	SEMICON.COMP DTA124EU RN2303	BA12303000
QK01		9965 000 09257	CHIP TRS. 2SA1736 -50V -3A	HX117361A0
QK02		4822 130 11386	CHIP TRS. 2SC2712 BL	HX327121B0

NOTE : \*nsp\* PART IS LISTED FOR REFERENCE ONLY, MARANTZ WILL NOT SUPPLY THESE PARTS.



POS. NO	VERS. COLOR	PART NO. (PCS)	DESCRIPTION	PART NO. (MJI)	POS. NO	VERS. COLOR	PART NO. (PCS)	DESCRIPTION	PART NO. (MJI)
QK03		9965 000 09258	CHIP TRS. 2SC4541 50V 3A	HX345411A0	CR28		9965 000 09240	CHIP ELECT 100μF 25V RV3	EL10702510
QK04		4822 130 42733	CHIP TRS. 2SA1162-GR	HX111621A0	CR29		9965 000 09241	CER. 0.47μF F 16V	DK98474200
QN01		9965 000 09255	CHIP TRS. 2SC4117-GR 120V 0.1A	HX341171A0	CR30		9965 000 09241	CER. 0.47μF F 16V	DK98474200
QN02		9965 000 09255	CHIP TRS. 2SC4117-GR 120V 0.1A	HX341171A0	CR31		9965 000 09242	ELECT 1000μF 50V RE-3	EA10805070
QN03		4822 130 61541	CHIP TRS. 2SC4116 Y OR GR	HX341162B0	CR32		9965 000 09242	ELECT 1000μF 50V RE-3	EA10805070
QN04		4822 130 61541	CHIP TRS. 2SC4116 Y OR GR	HX341162B0	CR33		9965 000 08352	CER. 0.1μF 50V F	DK98104300
QN05		4822 130 61554	CHIP TRS. 2SA1586 Y OR GR	HX115862B0	CR34		9965 000 08352	CER. 0.1μF 50V F	DK98104300
QN06		4822 130 61541	CHIP TRS. 2SC4116 Y OR GR	HX341162B0	CR35		9965 000 09242	ELECT 1000μF 50V RE-3	EA10805070
QN07		4822 130 61541	CHIP TRS. 2SC4116 Y OR GR	HX341162B0	CR36		9965 000 09242	ELECT 1000μF 50V RE-3	EA10805070
QN08		4822 130 61541	CHIP TRS. 2SC4116 Y OR GR	HX341162B0	CR37			CER. 0.22μF	DK48224300
QN09		4822 130 61554	CHIP TRS. 2SA1586 Y OR GR	HX115862B0	CR38			CER. 0.22μF	DK48224300
QN10		4822 130 63601	CHIP TRS. 2SC4213	HX342132A0	CR39		4822 126 14417	CER. 0.01μF ±10% 50V	DK96103300
QN11		4822 130 63601	CHIP TRS. 2SC4213	HX342132A0	CR40		4822 126 14417	CER. 0.01μF ±10% 50V	DK96103300
QN12		4822 130 61541	CHIP TRS. 2SC4116	HX341162B0	CR41			CER. 0.47μF 50V	DK48474200
					CR42			CER. 0.47μF 50V	DK48474200
					CR43		9965 000 09239	CER. 680pF ±5% CH 25V	DD95681200
					CR44		9965 000 09239	CER. 680pF ±5% CH 25V	DD95681200
JF02		4822 290 81646	TERMINAL LTS0410-2006 SPK 4P	YT01040640				<b>P714-RESISTORS</b>	
LF01		9965 000 09246	CHOKO COIL 30μH EP1311	LC13030010	RK31		4822 117 10833	CHIP 10k Ω ±5% 1/10W	NI05103110
LF02		9965 000 09246	CHOKO COIL 30μH EP1311	LC13030010	▲RK32		4822 051 20338	FUSIBLE 3.3 Ω ±5% 1/10W	NH85033110
LF05					RK33		4822 117 10833	CHIP 10k Ω ±5% 1/10W	NI05103110
LF08		9965 000 09247	BLM41P600S PT	FN31060010	RK34		4822 117 10833	CHIP 10k Ω ±5% 1/10W	NI05103110
LF09		9965 000 09248	RELAY VB-12 TBU-5 TRANSFER	LY20120630	▲RK35		4822 051 20338	FUSIBLE 3.3 Ω ±5% 1/10W	NH85033110
					RK36		4822 117 10833	CHIP 10k Ω ±5% 1/10W	NI05103110
								0.1Ω ±1% 1W	RH01102010
								0.1Ω ±1% 1W	RH01102010
					RN31		9965 000 09256		
					RN32		9965 000 09256		
					RN33		4822 051 30102	CHIP 1k Ω ±5% 1/16W	NN05102610
					RN34		4822 051 30102	CHIP 1k Ω ±5% 1/16W	NN05102610
					RN35		4822 051 30152	CHIP 1.5k Ω ±5% 1/16W	NN05152610
					RN36		4822 051 30152	CHIP 1.5k Ω ±5% 1/16W	NN05152610
					RN37			CHIP 3.3 Ω ±5% 1/8W	RI05033180
					RN38			CHIP 3.3 Ω ±5% 1/8W	RI05033180
					RN41		4822 051 30103	CHIP 10k Ω ±5% 1/16W	NN05103610
					RN42		4822 117 12925	CHIP 47k Ω ±5% 1/16W	NN05473610
					RN43		4822 051 30103	CHIP 10k Ω ±5% 1/16W	NN05103610
					RN44		4822 051 30102	CHIP 1k Ω ±5% 1/16W	NN05102610
					RN45		4822 051 30472	CHIP 4.7k Ω ±5% 1/16W	NN05472610
					RN46		4822 051 30103	CHIP 10k Ω ±5% 1/16W	NN05103610
					RN47		4822 117 12925	CHIP 47k Ω ±5% 1/16W	NN05473610
					RN48				
					}		4822 051 30103	CHIP 10k Ω ±5% 1/16W	NN05103610
					RN52				
					RN53		4822 117 12925	CHIP 47k Ω ±5% 1/16W	NN05473610
					RN54		4822 051 30472	CHIP 4.7k Ω ±5% 1/16W	NN05472610
					RN55		4822 051 30103	CHIP 10k Ω ±5% 1/16W	NN05103610
					RN56		4822 051 30103	CHIP 10k Ω ±5% 1/16W	NN05103610
					RN57		4822 051 30223	CHIP 22k Ω ±5% 1/16W	NN05223610
					RN58		4822 051 30103	CHIP 10k Ω ±5% 1/16W	NN05103610
					RN59		4822 051 30472	CHIP 4.7k Ω ±5% 1/16W	NN05472610
					RN60		4822 051 30222	CHIP 2.2k Ω ±5% 1/16W	NN05222610
					RR01		4822 051 30222	CHIP 2.2k Ω ±5% 1/16W	NN05222610
					RR02		4822 051 30222	CHIP 2.2k Ω ±5% 1/16W	NN05222610
					RR03				
					}		4822 051 30103	CHIP 10k Ω ±5% 1/16W	NN05103610
					RR06				
					RR07		4822 051 30332	CHIP 3.3k Ω ±5% 1/16W	NN05332610
					RR08		4822 051 30332	CHIP 3.3k Ω ±5% 1/16W	NN05332610
					RR09				
					}		4822 051 30472	CHIP 4.7k Ω ±5% 1/16W	NN05472610
					RR12				
					RR13		4822 051 30121	CHIP 120 Ω ±5% 1/16W	NN05121610
					RR14		4822 051 30121	CHIP 120 Ω ±5% 1/16W	NN05121610
					RR15				
					}		4822 117 11449	CHIP 2.2k Ω ±5% 1/10W	NI05222110
					RR18				
					RR19		4822 051 30102	CHIP 1k Ω ±5% 1/16W	NN05102610

NOTE : \*nsp\* PART IS LISTED FOR REFERENCE ONLY, MARANTZ WILL NOT SUPPLY THESE PARTS.

POS. NO	VERS. COLOR	PART NO. (PCS)	DESCRIPTION	PART NO. (MJI)	POS. NO	VERS. COLOR	PART NO. (PCS)	DESCRIPTION	PART NO. (MJI)
RR20		4822 051 30102	CHIP 1k Ω ±5% 1/16W	NN05102610	QN39		4822 130 61554	CHIP TRS. 2SA1586 Y OR GR	HX115862B0
RR21					QN40		4822 130 63601	CHIP TRS. 2SC4213	HX342132A0
}		4822 051 30109	CHIP 10 Ω ±5% 1/16W	NN05100610	QN41		4822 130 63601	CHIP TRS. 2SC4213	HX342132A0
RR24					QN42		4822 130 61541	CHIP TRS. 2SC4116	HX341162B0
RR25					QR01		9965 000 09249	IC LM311 COMPARATOR SOP8	HC10098000
}		4822 051 30105	CHIP 1M Ω ±5% 1/16W	NN05105610	QR02		9965 000 09249	IC LM311 COMPARATOR SOP8	HC10098000
RR28					QR03		9965 000 09250	CHIP TRS. 2SC4539	HX34539000
RR29		4822 051 30184	CHIP 180k Ω ±5% 1/16W	NN05184610	QR04		9965 000 09250	CHIP TRS. 2SC4539	HX34539000
RR30		4822 051 30184	CHIP 180k Ω ±5% 1/16W	NN05184610	QR05		9965 000 09251	CHIP TRS. 2SA1734	HX11734000
RR31		4822 117 13632	CHIP 100k Ω ±5% 1/16W	NN05104610	QR06		9965 000 09251	CHIP TRS. 2SA1734	HX11734000
RR32		4822 117 13632	CHIP 100k Ω ±5% 1/16W	NN05104610	QR07		9965 000 09252	F.E.T. IRFI9540G 100V 13A	HF60005000
RR33		4822 051 30563	CHIP 56k Ω ±5% 1/16W	NN05563610	QR08		9965 000 09252	F.E.T. IRFI9540G 100V 13A	HF60005000
RR34		4822 051 30563	CHIP 56k Ω ±5% 1/16W	NN05563610	QR09		5322 130 63791	F.E.T. IRFI540N 100V 13A	HF70010000
RR35			CHIP 22 Ω ±5% 1/8W	RI05220180	QR10		5322 130 63791	F.E.T. IRFI540N 100V 13A	HF70010000
RR36			CHIP 22 Ω ±5% 1/8W	RI05220180	QR11		4822 209 17155	IC NJM2068M	HC10102090
RR37					QR13		4822 130 63601	CHIP TRS. 2SC4213	HX342132A0
}		4822 116 82124	FUSIBLE CHIP 10 Ω	NH85100110	QR14		4822 130 63601	CHIP TRS. 2SC4213	HX342132A0
RR46					QR15		4822 130 61553	SEMICON.COMP DTC124EU RN1303	BA21303000
RR47		4822 051 30102	CHIP 1k Ω ±5% 1/16W	NN05102610	QR16		4822 130 42593	SEMICON.COMP DTA124EU RN2303	BA12303000
RR48		4822 116 82487	CHIP 0 Ω ±5% 1/16W	NN05000610					
RR49		4822 116 82487	CHIP 0 Ω ±5% 1/16W	NN05000610					
RR51		4822 051 30103	CHIP 10k Ω ±5% 1/16W	NN05103610					
RR52		4822 051 30103	CHIP 10k Ω ±5% 1/16W	NN05103610					
RR53		4822 051 30681	CHIP 680 Ω ±5% 1/16W	NN05681610					
RR54		4822 051 30681	CHIP 680 Ω ±5% 1/16W	NN05681610					
RR55		4822 117 13632	CHIP 100k Ω ±5% 1/16W	NN05104610	JR01			<b>P714-MISCELLANEOUS</b>	
RR56		4822 117 13632	CHIP 100k Ω ±5% 1/16W	NN05104610	JR02		4822 290 81646	PLUG S12B-XH-A 12P	YP06006480
					JR03			TERMINAL SPK 4P	YT01040640
					LR01		9965 000 09246	TERMINAL GND	YL01010140
					LR02		9965 000 09246	CHOKE COIL 30μH	LC13030010
					LR05			CHOKE COIL 30μH	LC13030010
					}		9965 000 09247	BLM41P600S PT	FN31060010
DK31		9965 000 09245	CHIP DIODE CRG012.6*1.6	HZ20067050	LR08				
DK32		9965 000 09243	CHIP DIODE 015AZ10 ZENER 10V	HZ30036050	LR09		9965 000 09248	RELAY VB-12 TBU-5 TRANSFER	LY20120630
DK33		9965 000 09245	CHIP DIODE CRG012.6*1.6	HZ20067050					
DK34		9965 000 09243	CHIP DIODE 015AZ10 ZENER 10V	HZ30036050					
DN31		4822 130 11516	CHIP DIODE 1SS368	HZ20068050					
DN33		4822 130 11516	CHIP DIODE 1SS368	HZ20068050					
DN34		4822 130 11516	CHIP DIODE 1SS368	HZ20068050					
DN35		4822 130 11516	CHIP DIODE 1SS368	HZ20068050					
DR01		4822 130 11516	CHIP DIODE 1SS368	HZ20068050					
DR02		4822 130 11516	CHIP DIODE 1SS368	HZ20068050					
DR03					CC01		9965 000 09238	TANTAL CHIP 100μF 25V	EY10702560
}		9965 000 09243	CHIP DIODE 015AZ10 ZENER 10V	HZ30036050	CC03		9965 000 08352	CER. 0.1μF 50V F	DK98104300
DR10					CC05		9965 000 08352	CER. 0.1μF 50VF	DK98104300
DR11		9965 000 09244	CHIP DIODE 30BQ100 SCHOTTKY 100 V 3A	HZ20001990	CC07		9965 000 09239	CER. 680pF ±5% CH 25V	DD95681200
					CC09		4822 126 13956	CER. 68pF ±10%	DD95680300
DR12		9965 000 09244	CHIP DIODE 30BQ100 SCHOTTKY 100 V 3A	HZ20001990	CC11			FILM 0.68μF J 50V	DF15684350
					CC13		9965 000 09240	CHIP ELECT 100μF 25V RV3	EL10702510
DR13					CC14		9965 000 09240	CHIP ELECT 100μF 25V RV3	EL10702510
}		9965 000 09245	CHIP DIODE CRG01	HZ20067050	CC15		9965 000 09240	CHIP ELECT 100μF 25V RV3	EL10702510
DR16					CC17		9965 000 09241	CER. 0.47μF F 16V	DK98474200
DR17					CC19		9965 000 09240	CHIP ELECT 100μF 25V RV3	EL10702510
}		4822 130 11514	CHIP DIODE 02CZ4.7Z	HZ30017050	CC21		9965 000 09241	CER. 0.47μF F 16V	DK98474200
DR20					CC23		9965 000 09240	CHIP ELECT 100μF 25V RV3	EL10702510
					CC25		9965 000 09241	CER. 0.47μF F 16V	DK98474200
QK31		9965 000 09257	CHIP TRS. 2SA1736 -50V -3A	HX117361A0	CC27		9965 000 09240	CHIP ELECT 100μF 25V RV3	EL10702510
QK32		4822 130 11386	CHIP TRS. 2SC2712 BL	HX327121B0	CC29		9965 000 09241	CER. 0.47μF F 16V	DK98474200
QK33		9965 000 09258	CHIP TRS. 2SC4541 50V 3A	HX345411A0	CC31		9965 000 09242	ELECT 1000μF 50V RE-3	EA10805070
QK34		4822 130 42733	CHIP TRS. 2SA1162-GR	HX111621A0	CC33		9965 000 08352	CER. 0.1μF 50V F	DK98104300
QN31		9965 000 09255	CHIP TRS. 2SC4117-GR 120V 0.1A	HX341171A0	CC35		9965 000 09242	ELECT 1000μF 50V RE-3	EA10805070
					CC37			CER. 0.22μF +80%-20%	DK48224300
QN32		9965 000 09255	CHIP TRS. 2SC4117-GR 120V 0.1A	HX341171A0	CC38			CER. 0.22μF +80%-20%	DK48224300
					CC39		4822 126 14417	CER. 0.01μF ±10% 50V	DK96103300
QN33		4822 130 61541	CHIP TRS. 2SC4116 Y OR GR	HX341162B0	CC41			CER. 0.47μF 50V	DK48474200
QN34		4822 130 61541	CHIP TRS. 2SC4116 Y OR GR	HX341162B0	CC43		9965 000 09239	CER. 680pF ±5% CH 25V	DD95681200
QN35		4822 130 61554	CHIP TRS. 2SA1586 Y OR GR	HX115862B0	CN61		9965 000 08352	CER. 0.1μF 50V F	DK98104300
QN36		4822 130 61541	CHIP TRS. 2SC4116 Y OR GR	HX341162B0	CN63		4822 126 14528	CER. 5600pF ±10% B 50V	DK96562300
QN37		4822 130 61541	CHIP TRS. 2SC4116 Y OR GR	HX341162B0	CN65		9965 000 09240	CHIP ELECT 100μF 25V RV3	EL10702510
QN38		4822 130 61541	CHIP TRS. 2SC4116 Y OR GR	HX341162B0	CN66		9965 000 09240	CHIP ELECT 100μF 25V RV3	EL10702510
					CN67		4822 126 14417	CER. 0.01μF ±10% 50V	DK96103300

NOTE : \*nsp\* PART IS LISTED FOR REFERENCE ONLY, MARANTZ WILL NOT SUPPLY THESE PARTS.

POS. NO	VERS. COLOR	PART NO. (PCS)	DESCRIPTION	PART NO. (MJI)	POS. NO	VERS. COLOR	PART NO. (PCS)	DESCRIPTION	PART NO. (MJI)
CN68		9965 000 08949	TANTALCHIP 22μF 35V	EY22603520				<b>P724-SEMICONDUCTORS</b>	
CN69		4822 124 11229	TANTALCHIP 4.7μF 35V	EY47503520	DC01		4822 130 11516	CHIP DIODE 1SS368	HZ20068050
CN70		9965 000 08352	CER. 0.1μF 50V F	DK98104300	DC03		9965 000 09243	CHIP DIODE 015AZ10 ZENER 10V	HZ30036050
CN71		9965 000 08352	CER. 0.1μF 50V F	DK98104300	DC05		9965 000 09243	CHIP DIODE 015AZ10 ZENER 10V	HZ30036050
CN72		9965 000 08352	CER. 0.1μF 50V F	DK98104300	DC07		9965 000 09243	CHIP DIODE 015AZ10 ZENER 10V	HZ30036050
			<b>P724-RESISTORS</b>		DC09		9965 000 09243	CHIP DIODE 015AZ10 ZENER 10V	HZ30036050
RC01		4822 051 30222	CHIP 2.2k Ω ±5% 1/16W	NN05222610	DC11		9965 000 09244	CHIP DIODE 30BQ100 100 V 3A	HZ20001990
RC02		4822 116 82487	CHIP 0 Ω ±5% 1/16W	NN05000610	DC13		9965 000 09245	CHIP DIODE CRG01	HZ20067050
RC03		4822 051 30103	CHIP 10k Ω ±5% 1/16W	NN05103610	DC15		9965 000 09245	CHIP DIODE CRG01	HZ20067050
RC05		4822 051 30103	CHIP 10k Ω ±5% 1/16W	NN05103610	DC17		4822 130 11514	CHIP DIODE 02CZ4.7Z	HZ30017050
RC07		4822 051 30332	CHIP 3.3k Ω ±5% 1/16W	NN05332610	DC19		4822 130 11514	CHIP DIODE 02CZ4.7Z	HZ30017050
RC08		4822 116 82487	CHIP 0 Ω ±5% 1/16W	NN05000610	DK61		9965 000 09245	CHIP DIODE CRG01	HZ20067050
RC09		4822 051 30472	CHIP 4.7k Ω ±5% 1/16W	NN05472610	DK62		9965 000 09243	CHIP DIODE 015AZ10 ZENER 10V	HZ30036050
RC11		4822 051 30472	CHIP 4.7k Ω ±5% 1/16W	NN05472610	DK63		9965 000 09245	CHIP DIODE CRG01	HZ20067050
RC13		4822 051 30121	CHIP 120 Ω ±5% 1/16W	NN05121610	DK64		9965 000 09243	CHIP DIODE 015AZ10 ZENER 10V	HZ30036050
RC15		4822 117 11449	CHIP 2.2k Ω ±5% 1/10W	NI05222110	DN61		4822 130 11516	CHIP DIODE 1SS368	HZ20068050
RC17		4822 117 11449	CHIP 2.2k Ω ±5% 1/10W	NI05222110	DN63		4822 130 11516	CHIP DIODE 1SS368	HZ20068050
RC19		4822 051 30102	CHIP 1k Ω ±5% 1/16W	NN05102610	DN64		4822 130 11516	CHIP DIODE 1SS368	HZ20068050
RC21		4822 051 30109	CHIP 10 Ω ±5% 1/16W	NN05100610	DN65		4822 130 11516	CHIP DIODE 1SS368	HZ20068050
RC23		4822 051 30109	CHIP 10 Ω ±5% 1/16W	NN05100610	QC01		9965 000 09249	IC LM311 COMPARATOR SOP8	HC10098000
RC25		4822 051 30105	CHIP 1M Ω ±5% 1/16W	NN05105610	QC03		9965 000 09250	CHIP TRS. 2SC4539	HX34539000
RC27		4822 051 30105	CHIP 1M Ω ±5% 1/16W	NN05105610	QC05		9965 000 09251	CHIP TRS. 2SA1734	HX11734000
RC29		4822 051 30184	CHIP 180k Ω ±5% 1/16W	NN05184610	QC07		9965 000 09252	F.E.T. IRF19540G 100V 13A	HF60005000
RC31		4822 117 13632	CHIP 100k Ω ±5% 1/16W	NN05104610	QC09		5322 130 63791	F.E.T. IRF1540N 100V 13A	HF70010000
RC33		4822 051 30563	CHIP 56k Ω ±5% 1/16W	NN05563610	QC11		4822 209 17155	IC NJM2068M	HC10102090
RC35			CHIP 22 Ω ±5% 1/8W	RI05220180	QC13		4822 130 63601	CHIP TRS. 2SC4213	HX342132A0
RC37		4822 116 82124	FUSIBLE CHIP 10 Ω	NH85100110	QC15		4822 130 61553	SEMICON.COMP DTC124EU RN1303	BA21303000
RC38		4822 116 82124	FUSIBLE CHIP 10 Ω	NH85100110	QC16		4822 130 42593	SEMICON.COMP DTA124EU RN2303	BA12303000
RC39		4822 116 82124	FUSIBLE CHIP 10 Ω	NH85100110	QK61		9965 000 09257	CHIP TRS. 2SA1736 -50V -3A	HX117361A0
RC41		4822 116 82124	FUSIBLE CHIP 10 Ω	NH85100110	QK62		4822 130 11386	CHIP TRS. 2SC2712 BL	HX327121B0
RC43		4822 116 82124	FUSIBLE CHIP 10 Ω	NH85100110	QK63		9965 000 09258	CHIP TRS. 2SC4541 50V 3A	HX345411A0
RC45		4822 116 82124	FUSIBLE CHIP 10 Ω	NH85100110	QK64		4822 130 42733	CHIP TRS. 2SA1162-GR	HX111621A0
RC47		4822 051 30102	CHIP 1k Ω ±5% 1/16W	NN05102610	QN61		9965 000 09255	CHIP TRS. 2SC4117-GR 120V 0.1A	HX341171A0
RC48		4822 116 82487	CHIP 0 Ω ±5% 1/16W	NN05000610	QN63		4822 130 61541	CHIP TRS. 2SC4116 Y OR GR	HX341162B0
RC49		4822 116 82487	CHIP 0 Ω ±5% 1/16W	NN05000610	QN64		4822 130 61541	CHIP TRS. 2SC4116 Y OR GR	HX341162B0
RC51		4822 051 30103	CHIP 10k Ω ±5% 1/16W	NN05103610	QN65		4822 130 61554	CHIP TRS. 2SA1586 Y OR GR	HX115862B0
RC53		4822 051 30681	CHIP 680 Ω ±5% 1/16W	NN05681610	QN66		4822 130 61541	CHIP TRS. 2SC4116 Y OR GR	HX341162B0
RC55		4822 117 13632	CHIP 100k Ω ±5% 1/16W	NN05104610	QN67		4822 130 61541	CHIP TRS. 2SC4116 Y OR GR	HX341162B0
					QN68		4822 130 61541	CHIP TRS. 2SC4116 Y OR GR	HX341162B0
					QN69		4822 130 61554	CHIP TRS. 2SA1586 Y OR GR	HX115862B0
RK61		4822 117 10833	CHIP 10k Ω ±5% 1/10W	NI05103110	QN71		4822 130 63601	CHIP TRS. 2SC4213	HX342132A0
!RK62		4822 051 20338	FUSIBLE 3.3 Ω ±5% 1/10W	NH85033110	QN72		4822 130 61541	CHIP TRS. 2SC4116	HX341162B0
RK63		4822 117 10833	CHIP 10k Ω ±5% 1/10W	NI05103110	JC01			<b>P724-MISCELLANEOUS</b>	
RK64		4822 117 10833	CHIP 10k Ω ±5% 1/10W	NI05103110	JC02		4822 290 81686	PLUG S12B-XH-A 12P	YP06006480
▲RK65		4822 051 20338	FUSIBLE 3.3 Ω ±5% 1/10W	NH85033110	JC03			TERMINAL 2P SPK	YT01020230
RK66		4822 117 10833	CHIP 10k Ω ±5% 1/10W	NI05103110				TERMINAL GND	YL01010140
					LC01		9965 000 09246	CHOKE COIL 30μH EP1311	LC13030010
RN61		9965 000 09256	0.1 Ω ±1% 1W	RH01102010	LC05		9965 000 09247	BLM41P600S PT	FN31060010
RN63		4822 051 30102	CHIP 1k Ω ±5% 1/16W	NN05102610	LC07		9965 000 09247	BLM41P600S PT	FN31060010
RN65		4822 051 30152	CHIP 1.5k Ω ±5% 1/16W	NN05152610	LC09		9965 000 09248	RELAY VB-12 TBU-5 TRANSFER	LY20120630
RN67			CHIP 3.3 Ω ±5% 1/8W	RI05033180					
RN71		4822 051 30103	CHIP 10k Ω ±5% 1/16W	NN05103610					
RN72		4822 117 12925	CHIP 47k Ω ±5% 1/16W	NN05473610					
RN73		4822 051 30103	CHIP 10k Ω ±5% 1/16W	NN05103610					
RN74		4822 051 30102	CHIP 1k Ω ±5% 1/16W	NN05102610					
RN75		4822 051 30472	CHIP 4.7k Ω ±5% 1/16W	NN05472610					
RN76		4822 051 30103	CHIP 10k Ω ±5% 1/16W	NN05103610					
RN77		4822 117 12925	CHIP 47k Ω ±5% 1/16W	NN05473610					
RN78									
∫		4822 051 30103	CHIP 10k Ω ±5% 1/16W	NN05103610					
RN82									
RN83		4822 117 12925	CHIP 47k Ω ±5% 1/16W	NN05473610					
RN84		4822 051 30472	CHIP 4.7k Ω ±5% 1/16W	NN05472610					
RN85		4822 051 30103	CHIP 10k Ω ±5% 1/16W	NN05103610					
RN87		4822 051 30223	CHIP 22k Ω ±5% 1/16W	NN05223610					
RN88		4822 051 30103	CHIP 10k Ω ±5% 1/16W	NN05103610					
RN89		4822 051 30472	CHIP 4.7k Ω ±5% 1/16W	NN05472610					
RN90		4822 051 30222	CHIP 2.2k Ω ±5% 1/16W	NN05222610					

NOTE : "nsp" PART IS LISTED FOR REFERENCE ONLY, MARANTZ WILL NOT SUPPLY THESE PARTS.